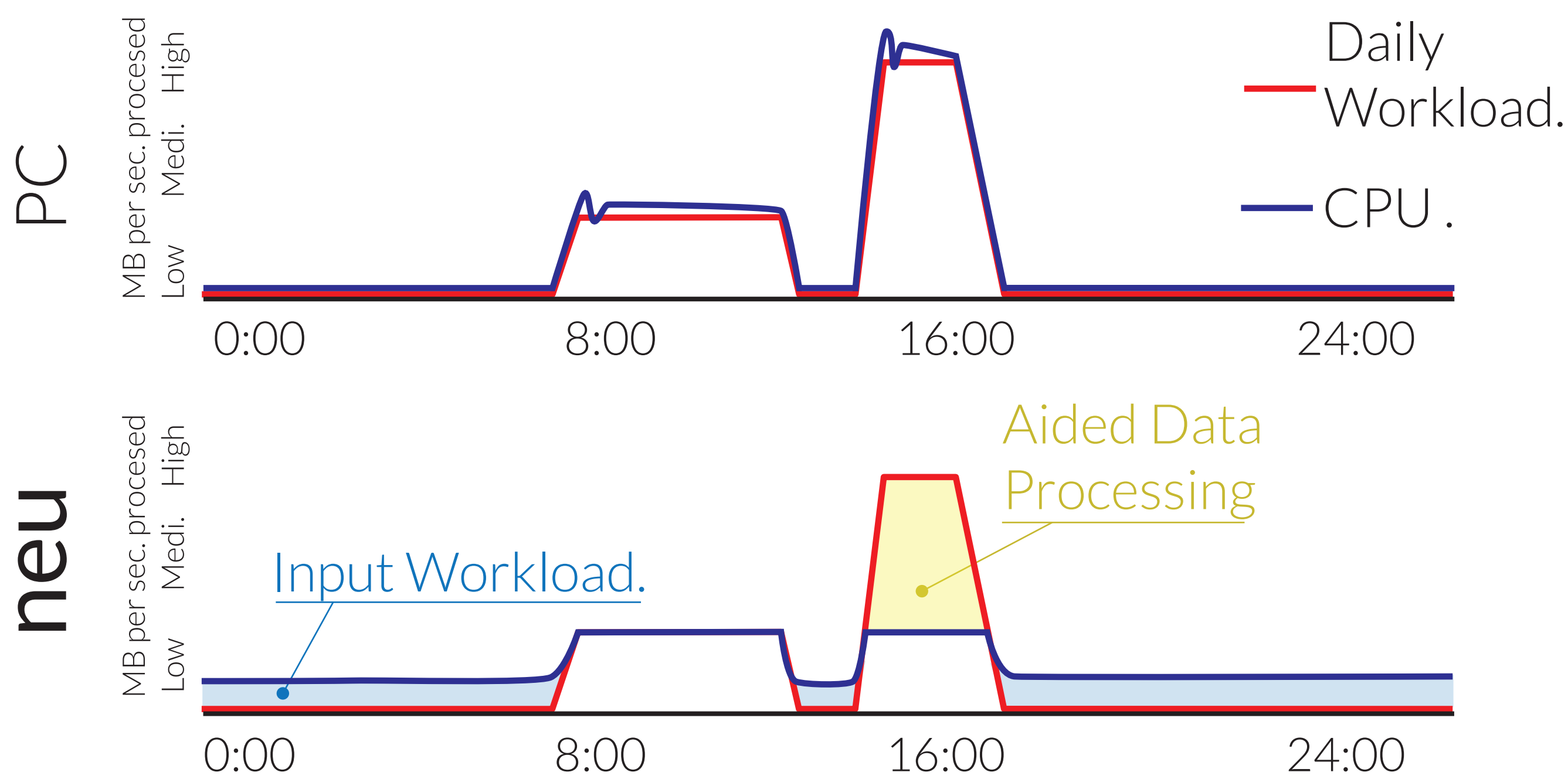


neu



"Strenght in unity."

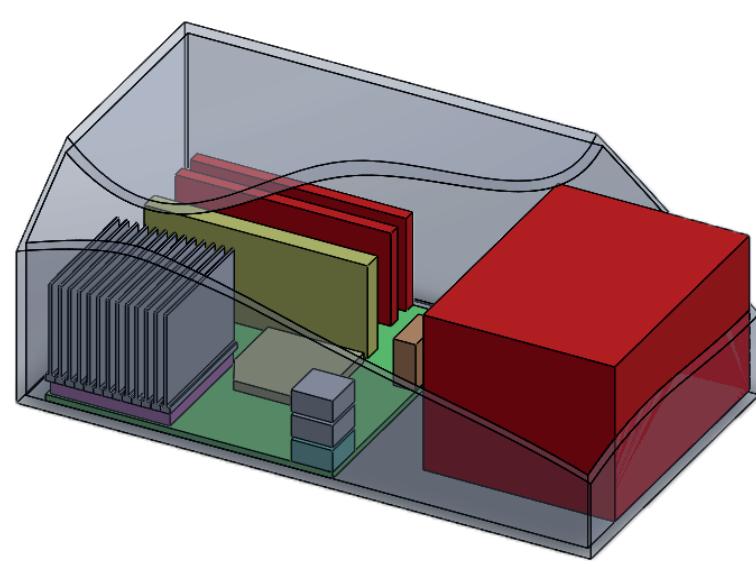
"neu is a new device which allow us to work in a Collective Data Processing Environment (CDPE Protocol) in order to increase our CPU productivity."



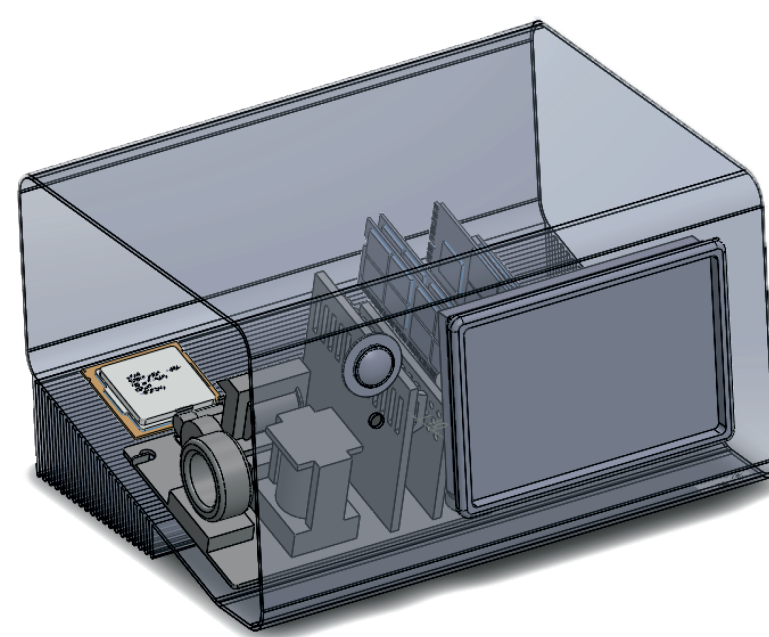
neu is able to create a global network throught the internet in order to process foreign data packages while is in standby.

It bring us the posibility to obtain an external support when necessary.

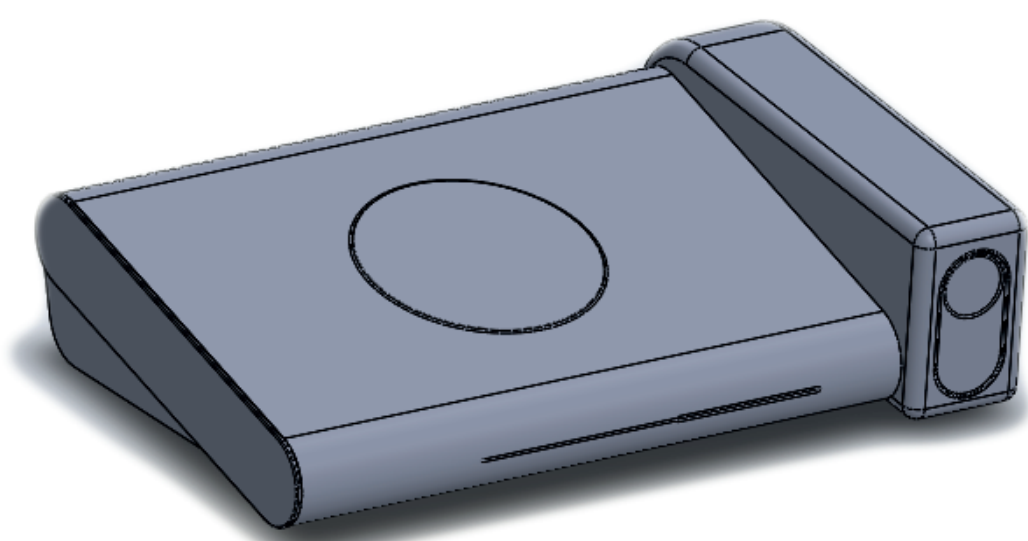
FUNCTION



ERGONOMICS



FORM



- PROCESSOR: Intel M7 6Y75
- STORAGE: Samsung EVO 250GB SSD mSATA
- RAM: 4+4 GB DDR3L 1333mHz
- CONNECTIVITY: USB 3.0, Thunderbolt, HDMI Ethernet, Wifi, Bluetooth.
- THERMAL EFFICIENCY: Build-In-Body cooler.
- INTERFACE: Capacitive body surface.

