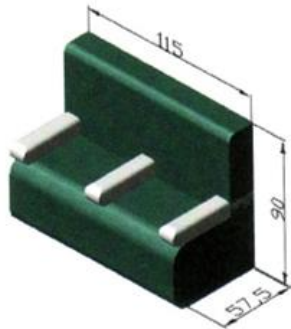
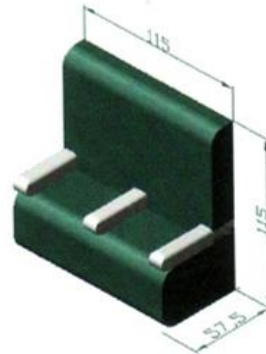


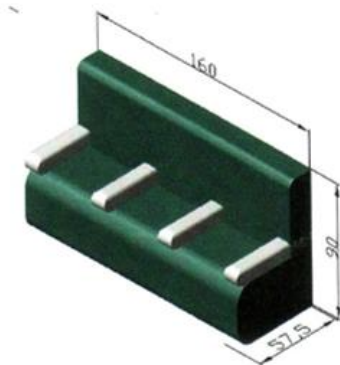
The dimensions of the seats are as follows:



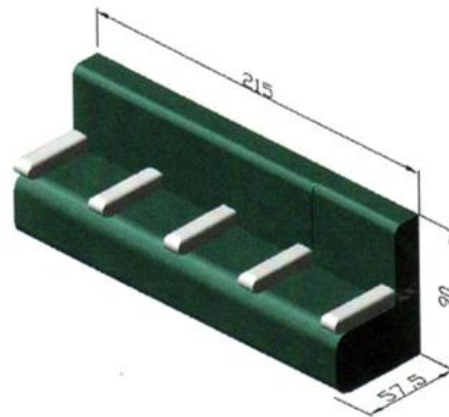
Group of 2 seats
Weight = 180 Kg



Group of 2 premium seats
Weight = 185 Kg



Group of 3 seats
Weight = 200 Kg



Group of 4 seats
Weight = 220 Kg

With a view to storing the aforementioned material, two possibilities can be studied:

- Outsourcing the service.
- Conditioning the existing buildings.

If we outsource the service, the best price that can be obtained is 1.65 € / (m³·month).

If we condition the existing buildings, we have to equip them with the necessary material and equipment.