

D

C

B

A

4

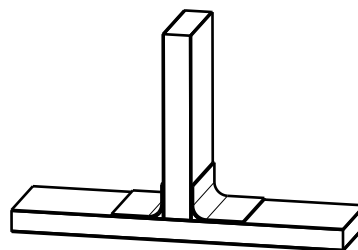
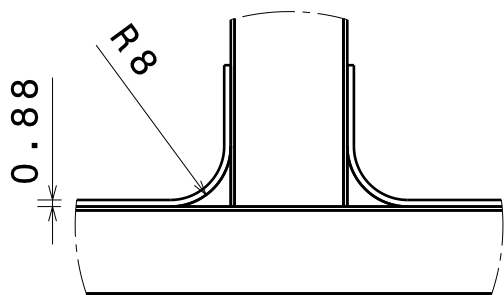
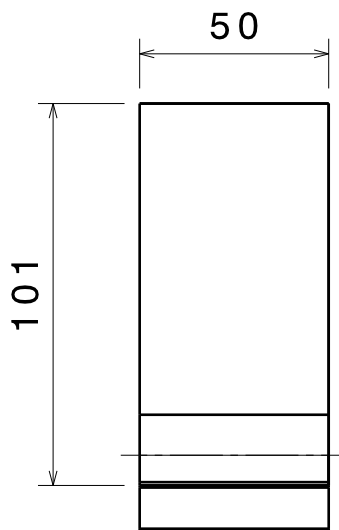
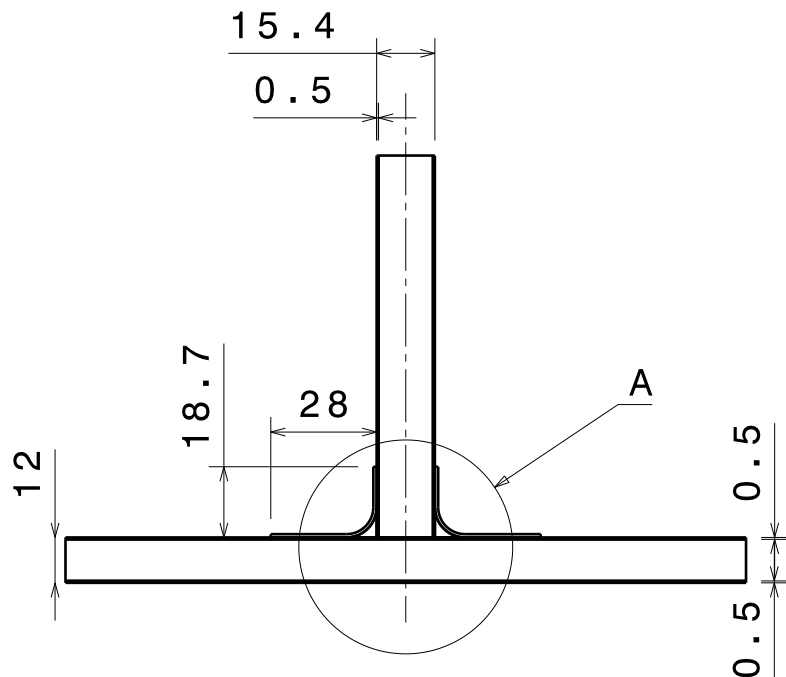
4

3

3

2

2



Detail A  
Scale: 1:1

Isometric view  
Scale: 1:4

1

1



UNIVERSITAT  
POLITÈCNICA  
DE VALÈNCIA

This drawing is our property. It can't be reproduced or communicated without our written agreement.

DRAWING TITLE

Modelo reforzado 2B

DRAWN BY  
NAM

DATE  
10/12/2022

CHECKED BY  
JA

DATE  
03/01/2023

SIZE  
A4

DRAWING NUMBER

001B02999

REV  
C

DESIGNED BY  
NAM

DATE  
28/11/2022

SCALE

1:2

WEIGHT (kg)

0.15879

SHEET

1/1

D

A

D C B A

4

3

2

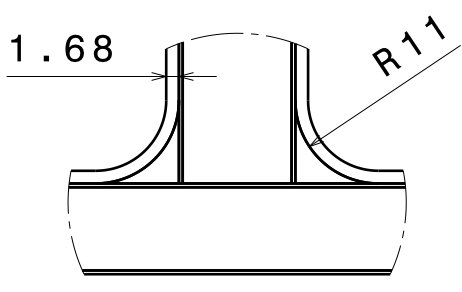
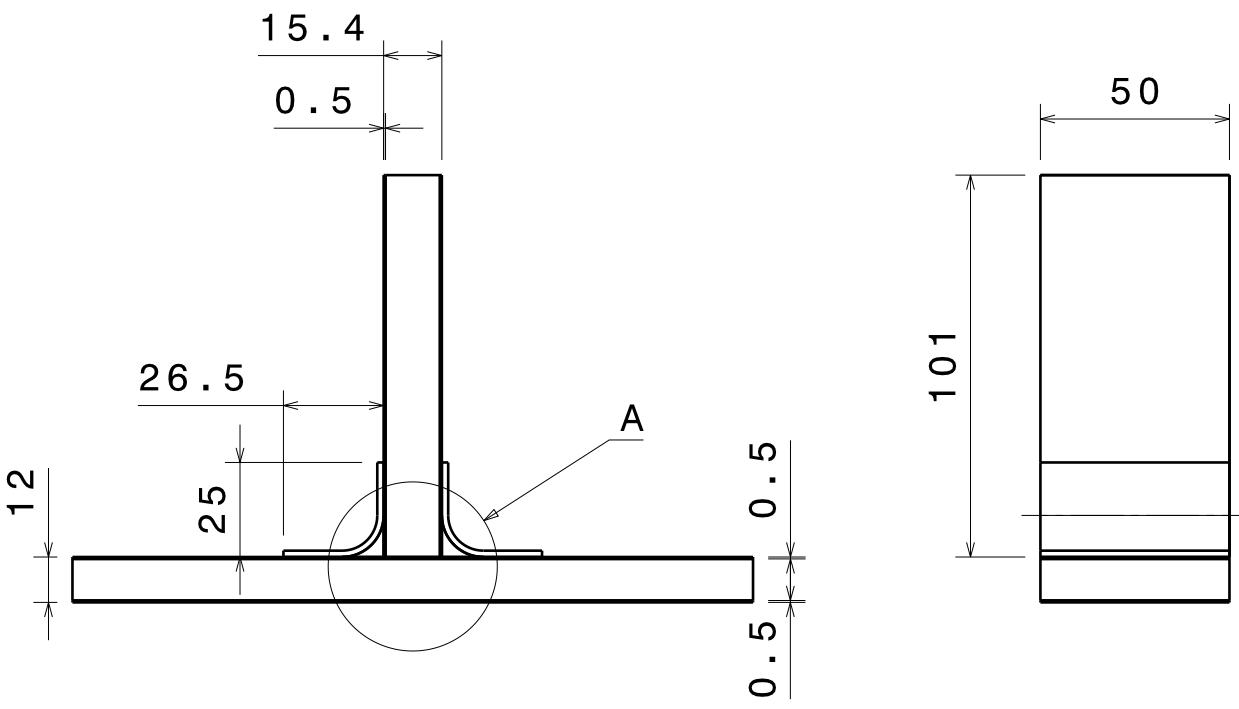
1

4

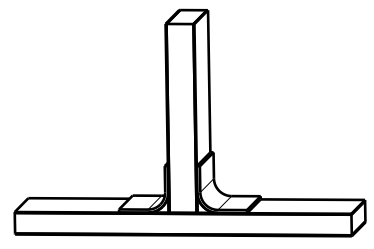
3

2

1



Detail A  
Scale: 1:1



Isometric view  
Scale: 1:4



UNIVERSITAT  
POLITÈCNICA  
DE VALÈNCIA

This drawing is our property. It can't be reproduced or communicated without our written agreement.

DRAWING TITLE

Modelo\_reforzado\_2C

DRAWN BY NAM	DATE 10/12/2022
CHECKED BY NAM	DATE 03/01/2023
DESIGNED BY NAM	DATE 20/11/2022

SIZE A4	DRAWING NUMBER 001C02999	REV A
SCALE 1:2	WEIGHT (kg) 0.1588	SHEET 1/1

D A

D C B A

4

3

2

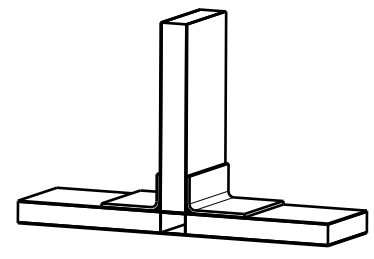
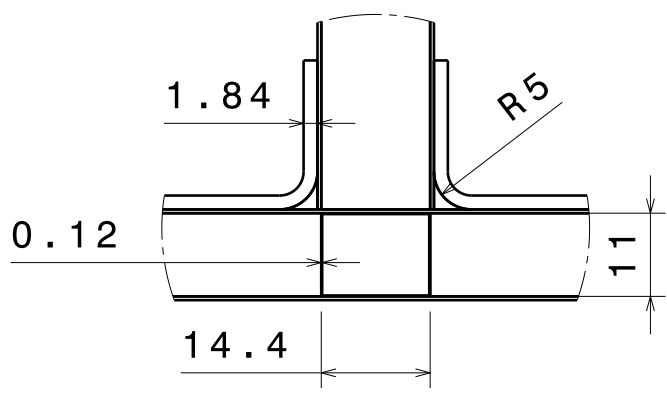
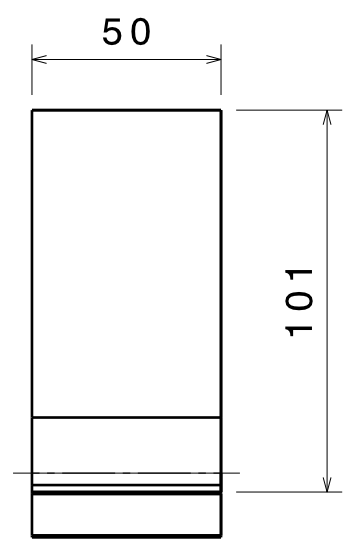
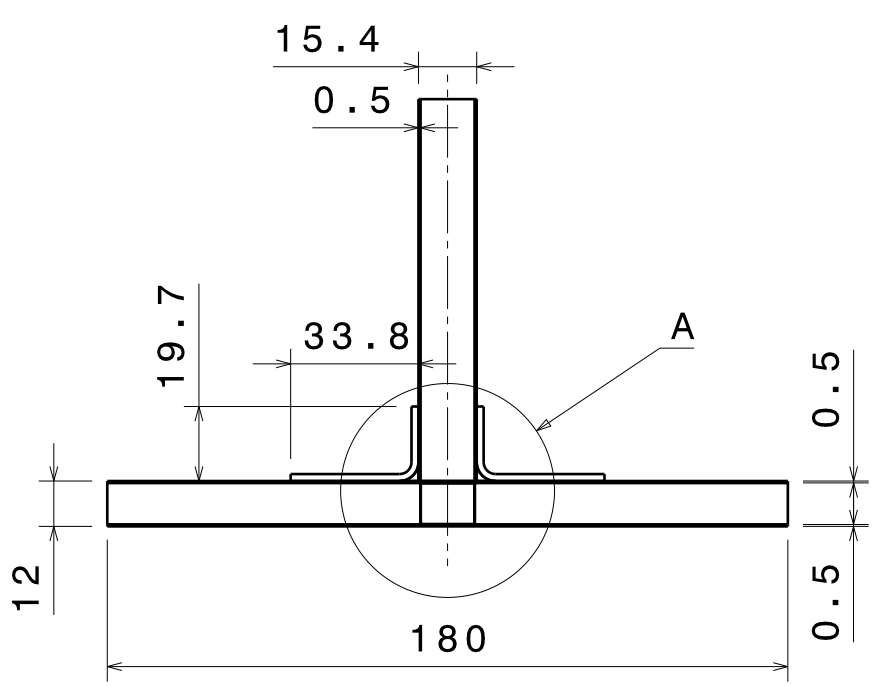
1

4

3

2

1



Detail A  
Scale: 1:1

Isometric view  
Scale: 1:4



UNIVERSITAT  
POLITÈCNICA  
DE VALÈNCIA

This drawing is our property. It can't be reproduced or communicated without our written agreement.

DRAWING TITLE

Modelo\_reforzado\_3B

DRAWN BY NAM	DATE 01/12/2022
CHECKED BY JA	DATE 03/01/2023
DESIGNED BY NAM	DATE 12/12/2022

SIZE A4	DRAWING NUMBER 001B03999	REV B
SCALE 1:2	WEIGHT (kg) 0.14765	SHEET 1/1

D A

D

C

B

A

4

4

3

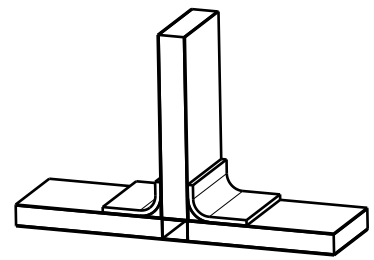
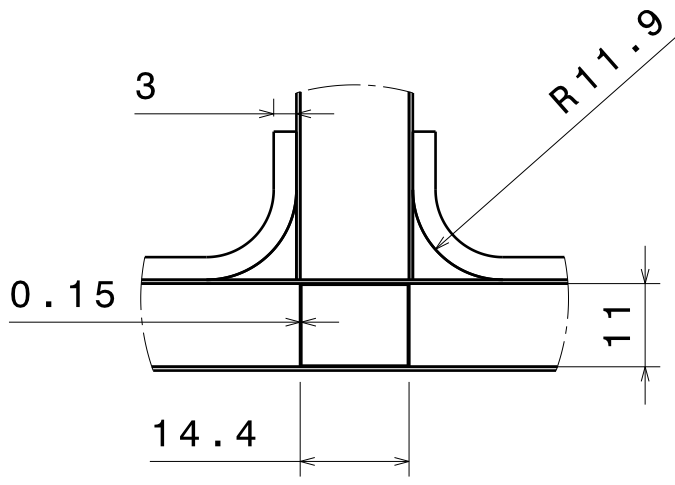
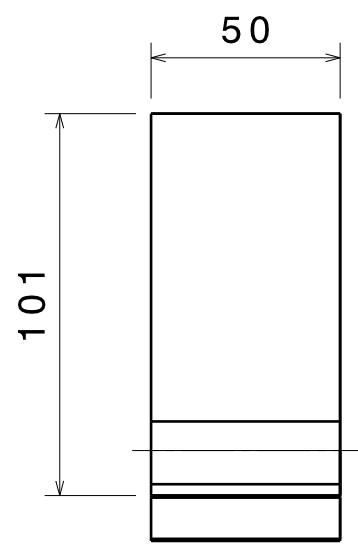
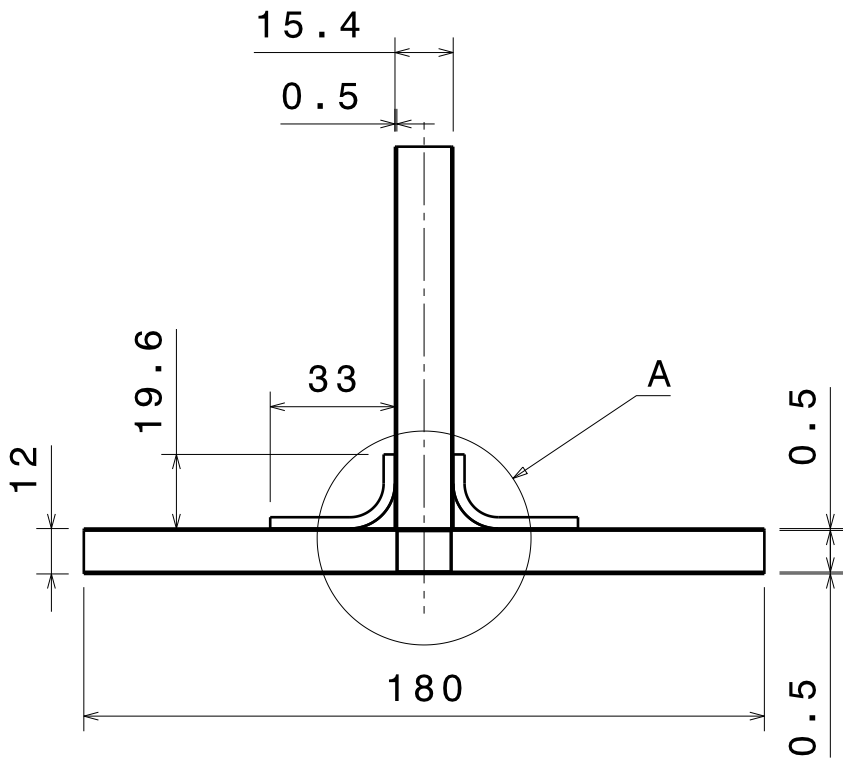
3

2

2

1

1



Isometric view  
Scale: 1:4

Detail A  
Scale: 1:1



UNIVERSITAT  
POLITÈCNICA  
DE VALÈNCIA

This drawing is our property. It can't be reproduced or communicated without our written agreement.

DRAWING TITLE

Modelo\_reforzado\_3C

DRAWN BY <b>NAM</b>	DATE 02/12/2022
CHECKED BY <b>JA</b>	DATE 03/01/2023
DESIGNED BY <b>NAM</b>	DATE 12/12/2022

SIZE <b>A4</b>	DRAWING NUMBER <b>001C01199</b>	REV <b>C</b>
SCALE <b>1:2</b>	WEIGHT (kg) <b>0.1877</b>	SHEET <b>1/1</b>

D

A