

Augmented Reality for Historic City Centres: An interactive geometric analysis

Historic centres bring together the numerous values of architectural history, forming a specific context that can be considered an “educational city” in which situated learning can be enhanced. They offer the possibility of providing visitors with tours and points of interest related to heritage. Among the various approaches to the study of historic architecture, one focuses on its forms and dimensions, analyzing proportions and geometric layouts, which can help us to understand the criteria that guided the project phases and construction process. Additionally, the analysis of forms is applicable to observing existing architecture and its graphic representation. With the aim of promoting this type of research, this investigation explores the possibilities of Augmented Reality (AR) as a technology for visualization and graphic interaction that introduces innovative developments in the field of Cultural Heritage, with the common thread of geometric layouts.

<http://disegnarecon.univaq.it>

DOI: <https://doi.org/10.20365/disegnarecon.30.2023.23>



Mónica Val Fiel
PhD, Architect and Bachelor of Fine Arts. Professor in the Graphic Expression Department and Technical School of Design Engineering at the Universitat Politècnica de València. Her research and teaching activities focus on defining the role of technology as a driver of urban interaction design.



Alba Soler-Estrela
PhD Architect. Professor at the Department of Industrial Systems Engineering and Design at Universitat Jaume I, teaching in the area of Architectural Graphic Expression. Her research activities focus on Architectural Heritage: survey, representation, construction history, virtual models and geometry.

Keywords:
Augmented reality (AR); Cultural Heritage; Geometric analysis; Situated learning; Smart cities

1. INTRODUCTION

In the case of European cities, historic centres are the places where the majority of cultural and architectural heritage is concentrated. Their value is not only widely recognized but also often protected by laws. Visiting these centres holds great potential for educational purposes and can be enhanced through specific tours and points of interest within the cultural and tourist offerings.

As early as 1972, UNESCO (Article 1) referred not only to individual monuments but also to groups of monuments, such as urban layouts. Furthermore (Article 13), it emphasized the need for public services to develop and implement measures not only for protection and conservation but also for valorization and active incorporation into community life. From this perspective, the work presented here stems from the architectural values of an urban centre and the necessity to transmit them to society.

The significant interest in historic architecture enables its study from various perspectives. One of these is the analysis of its forms and dimensions, aiming to uncover the geometric layouts that guided its construction. This specific topic generates content that, in many cases, deserves to be disseminated. New technologies have expanded the range of possibilities for implementing tools to promote its dissemination. This research explores the possibilities of Augmented Reality (AR) as a technology for visualization and graphic interaction, introducing innovative developments in the field of Cultural Heritage with a focus on geometric layouts in the historic centre of Valencia.

1.1 AUGMENTED REALITY IN CULTURAL HERITAGE

The implementation of Augmented Reality as an educational resource is being researched from various perspectives, including fields such as Tourism (Kounavis, 2012; Han, 2018), Museology (Damala, 2008), Heritage, and Culture in general (Luna, 2019). Recent experiences applied to specific cases of historical architecture demonstrate how these technologies can create new dimen-

sions for dissemination and leisure (Pervolarakis et al., 2023). There are also numerous educational possibilities that use Augmented Reality as a resource, including its applications in the metaverse, as seen in a teaching experience developed for architecture students (Onecha et al., 2023). In the specific context of historical city centres, applications based on geographic information systems stand out, as do those that offer tourist routes or applications aimed at gamification (Khan, 2020).

The growing presence of AR apps in heritage education is noteworthy, as they aim to facilitate understanding, enjoyment, experiential learning, and knowledge of heritage in academic contexts, while also fostering society's understanding and connection to its heritage. Research, such as that conducted by Aso et al. (2021), highlights that users with prior knowledge express a greater demand for the didactic possibilities of AR, whereas less experienced users focus on the more superficial and appealing aspects of the technology's potential.

1.2 HISTORICAL ARCHITECTURE OF VALENCIA

When implementing AR in different locations, it is important to consider the type of heritage found and its representativeness, as well as the interest from the analyzed perspective, and the possibilities for visiting and observing the sites.

In the case of the city of Valencia, it is important to situate oneself within its historical context, which includes its Roman origins and subsequent Muslim presence, still visible in certain places. However, the first historical period that stands out during a visit to the city is the Gothic era, with significant buildings from the economic splendor of the 14th to 16th centuries, where the transition to the Renaissance occurred early on. Subsequently, excellent examples of Baroque and Neoclassical styles emerged. The architectural styles blend together during transitional periods, combining and overlapping styles. Noteworthy are the religious buildings, but there are also excellent examples of civil architecture.

2. GEOMETRIC LAYOUTS IN ARCHITECTURAL HERITAGE

To develop the proposal, it is necessary to understand the background of studies on geometric layouts in architectural heritage. Beyond specific cases, certain considerations need to be taken into account regarding how geometric knowledge and criteria have been applied in the history of architecture. This enables the identification of topics of greater interest applied to specific cases and their graphic results, in order to extract the values that are intended to be conveyed and their potential application in the development of AR.

This is a complex topic that is difficult to summarize. The starting point is the idea that architecture needs to define what will be executed. With a constructive logic, the process begins by defining the plan, for which some resource for controlling forms and dimensions would be used. Subsequent operations lead to vertical development. For this process, some criteria had to be followed, which suggests that a geometric basis of proportion or layout guided its construction.

It should be noted that the case studies were constructed in different historical periods. When analyzing a building, it is necessary to place oneself in the context of the geometric knowledge that existed in different eras and how it could be used to define architecture. Through studies by various authors, we can consider, starting with antiquity, that in Greek architecture (Gentil, 2014), shapes were mainly obtained using a ruler and compass with the support of limited arithmetic, to obtain basic figures such as circles, squares, rectangles, and polygons like hexagons and octagons. Regarding triangles, the one with sides in proportions of 3, 4, 5 stands out, which yields a right angle and was used in other cultures such as the Egyptian.

In the Middle Ages, particularly in Gothic architecture, geometry was directly associated with the crafts. They used graphic representation, including scaled plans for a general idea, but mainly relied on full-scale layouts for stone masonry work. They used numerical methods, for example, to obtain polygons through approximations, as

well as graphic methods such as the construction of pointed arches, or the Villard de Honnecourt quadrature method.

Numerous studies attempt to address the general shapes and dimensions of floor plans and elevations. However, the construction process also needed to define the construction elements, delving into a higher level of detail, as would be the case with stone masonry work. Guilds of builders possessed a set of practical procedures, developed using the available tools, in what has been termed 'geometria fabrorum' (Ruiz de la Rosa, 1987). For this purpose, theoretical knowledge of classical geometry was not directly applicable. Stonemasons needed to apply other methods, such as orthogonal projection, in operations aimed at determining the true magnitude and how to transfer it to the stone. Some authors have studied the transition from late Gothic to the Renaissance, a process that can be related to the beginnings of the development of descriptive and projective geometry (Calvo & Rabasa, 2016). Issues that became entirely generalized later, such as the use of correspondence between floor plans and elevations, were already employed in Gothic construction, although their wider adoption began in Italy in the 16th century (Gentil, 2014).

Regarding classical architecture, during the Renaissance, some changes occurred, such as the emergence of a more educated approach than the crafts, highlighting the figure of the architect and placing greater importance on the design phase. The interest in the rediscovery of antiquity during this period enabled for a deeper understanding of Roman Imperial architecture. One example is the roman treatise by Vitruvius, in which the definition of buildings was primarily based on proportions, achieved through division into parts, for instance, to define the plans. Among Renaissance treatises, the widely disseminated works of Vignola and Serlio's Treatise stand out, incorporating numerous illustrations with practical applications. In general, treatises on classical architecture primarily describe proportions, modulations, and elements, although they include some geometric layouts based on compass use. This is evident in the defi-

nition of classical orders as a succession of measurements and subdivisions.

Moving forward in time, in a journey through geometry and architecture, the figure of Gaspard Monge and his work "Descriptive Geometry" from 1799 cannot be overlooked. This work represents a significant advancement in the representation of three-dimensional surfaces with direct application to stereotomy in stone construction, through the carving of vault keystones and arches.

Returning to a general view of the objectives for which proportional systems have been used as tools to define dimensions, there is the notion that they were not solely driven by pragmatic interests but also associated with certain ideals of order and beauty. This gives rise to highly interesting theoretical topics such as harmonic numbers, musical relationships, the golden ratio, etc., which have been applied to different periods and types of buildings. However, skepticism arises regarding the actual application of some of these theories, and there is a duality in considering their intentions as either aesthetic or purely pragmatic (Cohen, 2014).

2.1 GRAPHIC RESULTS AND APPLICATIONS

Numerous studies have been conducted on these topics, applied to a wide variety of buildings and architectural styles. Most authors agree that the analyses conducted can only lead to hypotheses, sometimes without being able to settle on a single interpretation. It is important to differentiate between the process followed by the craftsmen and the interpretations we make now, as we cannot ascertain if these were part of the original intent or execution. Nevertheless, beyond the unquestionable value of seeking to understand the process during the design and construction phases, geometric studies also serve to comprehend existing architecture. The analysis of forms finds application in observation and graphic representation.

Regarding geometric analyses, a distinction can be made between approaches based on proportion and those based on layout. In the former,

forms are defined by numerical series that relate different magnitudes and can generate modular patterns. To be more general, the parts can be dimensionless, adaptable to specific cases with the use of traditional metrological units (feet, palms, yards, etc.). On the other hand, there are methods based on layout, which involve auxiliary geometric drawing processes using arcs of circles, polygons, etc., to define the forms. Both approaches are related since certain layouts, such as regular polygons, can be approximated using specific proportions. Therefore, typical results of geometric analyses generally consist of drawings of modular patterns or layouts of lines and arcs. Regardless of the method used, simplicity is considered essential for effectiveness.

In terms of the graphic output resulting from the analysis of historical buildings conducted by various authors, they are generally represented using lines (often solid or dashed lines showing axes), frequently superimposed on drawings of elevations and plans, but sometimes also on point clouds or even photographs. The most abundant representations are general plans of large buildings, often religious ones, defining the widths of nave spaces and the shapes of apses and chapels, typically using polygonal layouts. Furthermore, the dimensions and vertical layouts of facades are studied, with the frequent presence of different types of arches. In the specific case of Gothic churches, ribbed vaults stand out, with their plan layouts and their abatements in the elevation of various arches, connecting with specific themes of stone carving and masonry (Soler et al., 2011). Additionally, other elements of smaller scale can be studied, such as rib templates or other elements like pinnacles, rose windows (Soler-Estrela & Cabeza, 2014), ceramic tilework, and flooring (fig. 1).

3. OBJECTIVE

The objective is to propose an Augmented Reality (AR) application that brings together and disseminates research on geometric layouts in historical centre architecture. In doing so, geometry becomes the subject of study and the narrative of the

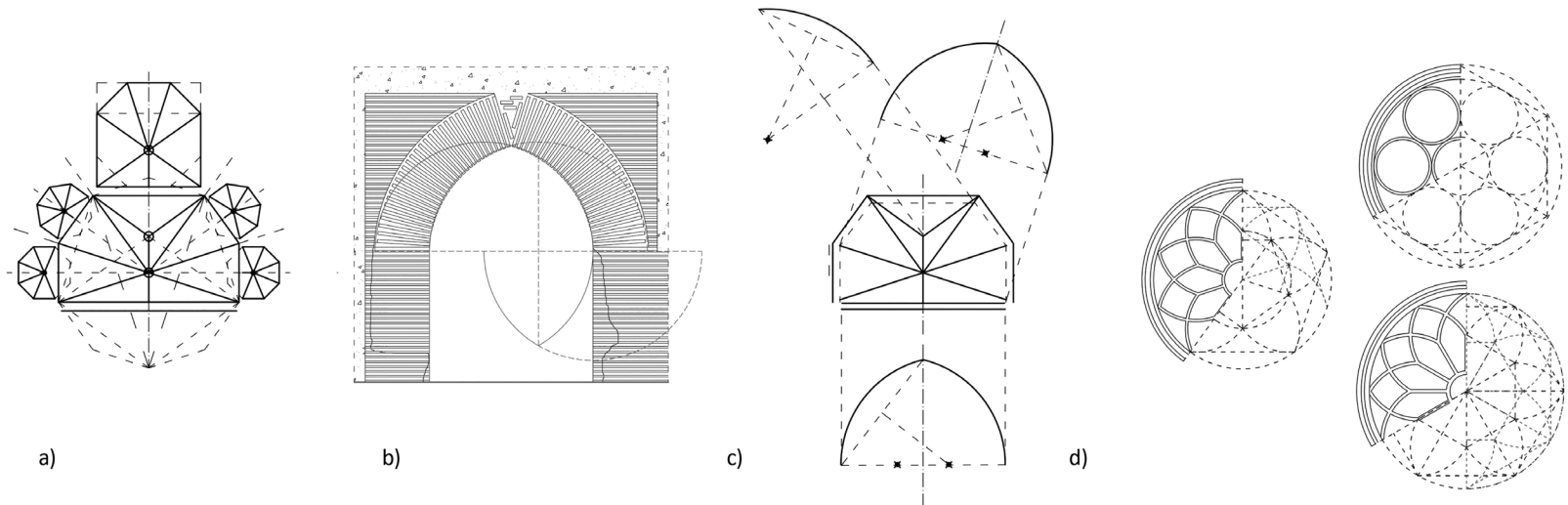


Fig. 1. Archpriestal Church of Sant Mateu: Apse, Main Chapel, and Apsidal Chapels (a and c). Elevation of the entrance arch of Forná Castle (b). Archpriestal Church of Santa María la Mayor in Morella: Types of rose windows based on pentagon and hexagon shapes (d).

tour, creating digitally enhanced learning environments through situated learning. The suggested set of proposals is framed within the Historical Centre of Valencia. The aim of the application is to enhance visitors' observation skills and their interest in geometric analyses, in order to promote the dissemination of cultural heritage through an AR system in an urban heritage context.

3.1 DIDACTICS AND DISSEMINATION OF URBAN HERITAGE

A historical centre is a specific context, an “educational city” where situated learning can be enhanced, offering visitors tours and points of interest related to cultural heritage. In this sense, the experience of visiting a historic site can convey various types of values (Dogan et al., 2020), both those that enhance its physical reality and those focused on its history. According to some authors, the immersive experience at heritage sites can be based on four aspects (Rahaman, 2018): meeting expectations, promoting the conservation and

protection of heritage, fostering learning about past history and culture, and presenting the past from multiple perspectives

The objective of this article is to explore the possibilities of AR applied to the geometric layouts of historical centre architecture. The definition of content should take into account the target audience. Beyond the development of materials focused on the general public, including tourists, a more specific material is proposed, aimed at didactic purposes. The idea is to create learning situations that, on the one hand, foster appreciation of architectural heritage, but on the other hand, involve a deeper understanding of specific knowledge about geometry and how it has been applied in building construction.

4. METHODOLOGY

The development of an AR application is proposed, enabling for the three-dimensional representation of elements or the overlay of layouts through the camera input of mobile devices. The appli-

cation utilizes the data provided by the device's GPS system. For detection, pattern-based or image-based tracking methods are used to superimpose layouts or 3D models created through an AR environment. The phases include capture, identification and recognition, overlay, and visualization (Lepetit, 2005; Fua, 2007).

On one hand, the screen displays what the camera captures, and over the image of what is in front of us, additional graphic information is overlaid in real-time. The on-screen visualization corresponds to the expanded information of layouts, modules, or patterns, along with the corresponding bibliographic reference (fig. 2 and 3).

However, when the shape or geometric analysis affects complex or non-visible forms such as arcades, vaults, or sections (fig. 4), the additional information to be highlighted will be presented on a three-dimensional reproduction of the model or geometry.

Additionally, in both cases, the information can be expanded with links to images or texts that complement and expand the analysis (fig. 5).



Fig. 2 – Serranos Towers. Representation based on the investigations of López González & García Valldecabres (2012). The application overlays the geometric analysis onto the image visualized through the device's camera.

Fig. 3 - College of Corpus Christi. Compositional diagrams of the cloister. Representation based on the investigations of Llopis Verdú (2007). The application overlays the geometric analysis onto the image visualized through the device's camera.

4.1 SURVEYS AND TECHNIQUES

In order to reproduce the existing geometry and represent studies that are difficult to overlay onto the real environment, different capture techniques are analyzed based on the constraints and requirements. The flow from survey to AR depends on the object's scale and associated technology (with their respective constraints, point density, and optimization for integration into the application). The equipment specifications are what determine the resolution, accuracy, working distance, and dimensions of the object to be scanned. Part of the developed experience has been carried out using a portable 3D scanner, the

<http://disegnarecon.univaq.it>



EinScan. Although these handheld scanners allow scanning within a dimension range of 3 – 300 cm, we often encounter human limitations when it comes to the height of the object being scanned. An EinScan Pro 2X scanner with a resolution of 0.2 mm and a working distance of 50 cm has been used for objects with approximate dimensions of one and a half meters. For surveys, portable scanners with Light Detection and Ranging (LiDAR) technology are used for small-scale objects and exteriors. Measurements are made by emitting a laser light that bounces off the surface and is captured by a lens that determines the distance to it. The result obtained from the measurement is a point cloud, which is then

processed in real-time to create a three-dimensional mesh (fig. 6).

For small-scale objects and interiors, structured light scanners are proposed. This technique is not suitable for exteriors due to its high sensitivity to ambient light. It is also not suitable for measuring reflective surfaces. However, it is ideal for interiors with low lighting conditions. These 3D reconstruction techniques are based on projecting a light pattern onto the object being scanned. Analyzing the projected pattern on the surface enables for deducing the shape of the objects. Structured light scanners consist of one or two cameras and a projector.

DOI: <https://doi.org/10.20365/disegnarecon.30.2023.23>

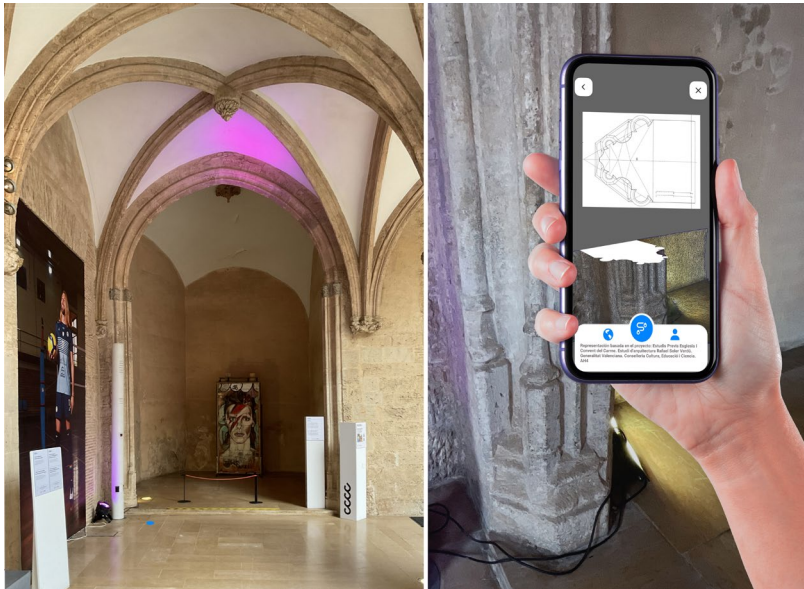


Fig. 4 - Left: Approximation of the chapel of the Convent of Carmen, corner of the Gothic cloister. Current Centro del Carmen de Cultura Contemporánea (CCCC). The image shows a point of reference. Right: The application identifies the position and image and displays the 3D reproduction of the segmented pilaster. It also incorporates information from the graphic project. Detail of moldings in the base of the pilaster behind the arch. Preliminary studies by Rafael Soler Verdú (1987).

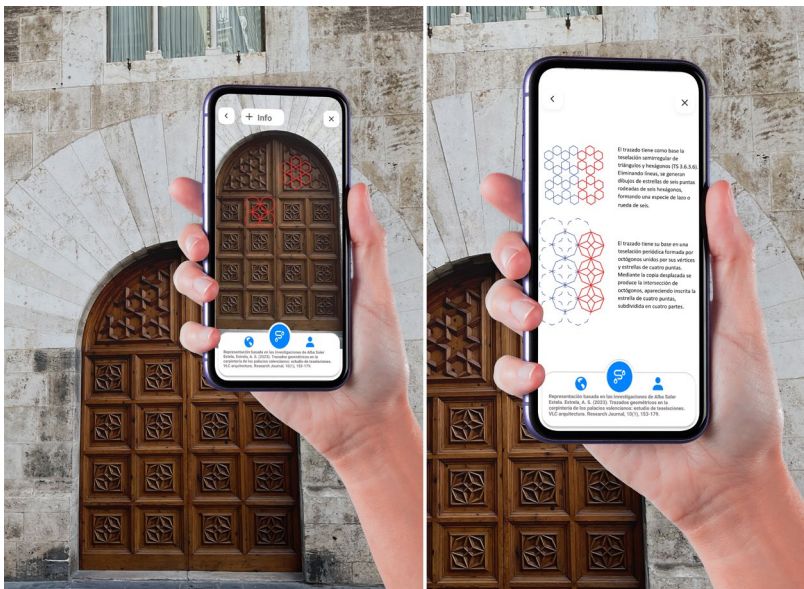


Fig. 5 - Left: North entrance door of the Palace of the Valencian Generalitat. Overlay of geometric layouts (Soler-Estrela, 2023). Right: Additional information explaining the analysis of the corresponding tessellation.

Again, the result obtained from the measurement is a point cloud. In the case of structured light scanners, the point cloud density is very high, and it is necessary to edit the generated mesh. The resolution needs to be optimized so that it can be efficiently handled by the application installed on the device.

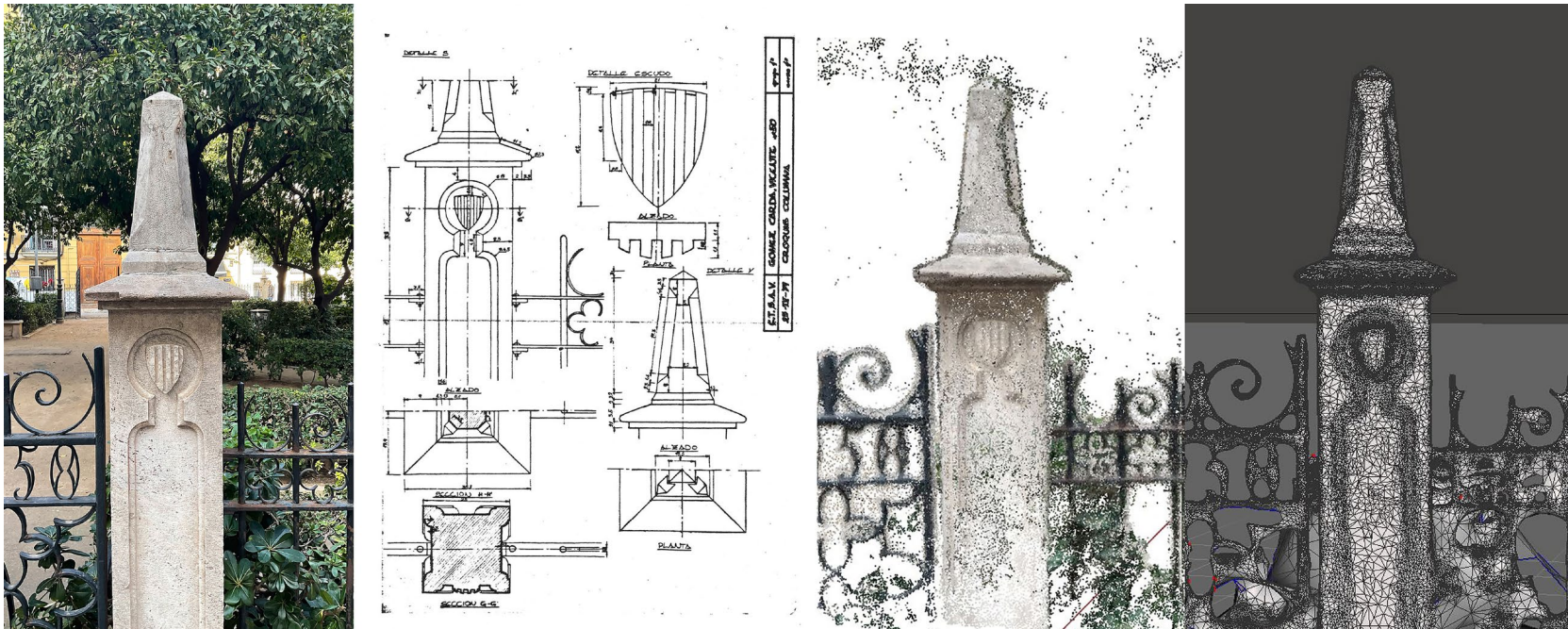
Within the category of small to medium-sized objects presented in the proposal, we include the pillar of the Convent of Carmen (fig. 4), the fence of the Palau de la Generalitat (fig. 6), and the geometric detail of the door of the Palau de la Generalitat (fig. 5). For larger-scale facade surveys, both terrestrial laser scanners (TLS) with an internal RGB camera and photogrammetric systems are used. Rectification techniques (for planar elements, from a photograph) and restitution techniques (obtaining photoplans from 3D models) are employed.

The goal of data collection is to reproduce the existing geometry. From the point cloud containing the surface geometric information, a polygonal mesh of triangles is obtained. In this process, it is necessary to remove any registered noise and optimize the polygonal model. Additionally, along with the geometric information, these optical systems capture color information, so that each value is associated with its RGB information.

4.2 APPLICATION: TECHNOLOGIES

When it comes to developing the AR application, it requires both a software development kit (SDK) and management with software that enables 3D rendering. In this regard, the compatibility between Augmented Reality Kits and development engines needs to be analyzed.

Open-source platforms such as Apple's ARKit and Google's ARCore for Android enable developers to integrate location-based experiences, object detection, and image tracking. Research studies like Oufqir et al. (2020) analyze their functionalities, which include motion tracking, plane detection, light estimation, image tracking, and face detection. Other commercial platforms such as Vuforia, Wikitude and ARmedia offer different functional-



ties corresponding to the type of license (Amin & Govilkar, 2015).

Furthermore, working with a rendering engine such as Unity or Unreal is necessary to transform resources into a visual and interactive representation on the user's device. Both ARKit and ARCore are compatible with Unity or Unreal.

5. RESULTS

Within the strategies for disseminating cultural heritage, the objective is to promote the observation and understanding of historical architecture, including geometric analysis in the urban context, through an augmented reality application, enabling the interpretation of its historical architecture.

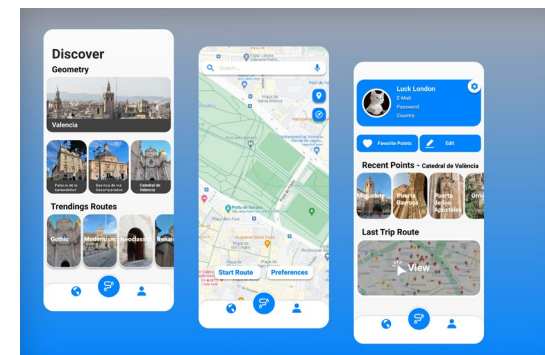
The proposed AR application enables the aggregation and dissemination of research developed

by different researchers within the historical centre of Valencia (fig. 7). The implementation possibilities have been developed through a series of examples of representative buildings in the historical centre of Valencia.

In the case of Torres Serranos, it is a prominent monument that served as the gateway to the walled city during the medieval period. It was built by the renowned architect and master stonemason Pere Balaguer during the 14th century. It consists of two polygonal towers with three vaulted floors. The imposing exterior facade is meticulously crafted with ashlar stonework and was a symbol of the city's power. Regarding studies on its forms and proportions, López González & García Valdecabres (2012) propose a hypothesis based on the application of a dynamic series of rectangles derived from Hambidge's theories, which are represented in plan and elevation. For

Fig. 6 - Fence of the Valencian Generalitat. From left to right: a) real model, b) graphic survey, c) point cloud, d) mesh obtained by scanning with LIDAR (Light Detection and Ranging) technology.,

Fig.7 - User interface of the proposed application



implementation in AR, the location enables the choice of different viewpoints. The optimal viewing position is marked to indicate a frontal perspective at a distance that enables a complete view of the elevation, over which the corresponding lines of analysis are superimposed (fig. 2).

In the Colegio del Corpus Christi, there is a cloister built in the late 16th century, considered to be one of the most significant Renaissance works in the city of Valencia. Its formal and compositional analysis (Llopis Verdú, 2017) reveals, among other things, the proportional scheme of the gallery's elevation, with a 2:1 ratio between the height to the cornice and the intercolumniation. For implementation in AR, a frontal viewpoint is again chosen, over which the corresponding lines of analysis are superimposed (fig. 3).

Within the monumental complex of the former Convent del Carmen, there are different spaces such as the church and its two cloisters, one Gothic and the other Renaissance. The Gothic cloister, constructed in the 14th and 15th centuries, is characterized by pointed arches and ribbed vaults. The preliminary study conducted before the interventions carried out in the late 20th century includes extensive and rigorous graphic documentation, including the analysis of the moldings and base of the piers in the Gothic cloister, which incorporates a proposed template diagram based on a triangular scheme (Soler Verdú, 1987). For implementation in AR, the application identifies the position and image of the pier. The optimal viewing position is marked to indicate the point where expanded information is available. In this case, the focus is on the detail of the molding in the pier's base. The app opens a 3D geometry that enables rotation and tap to exploration, along with the original unpublished study of the ongoing project (fig. 4).

In the case of the Palau de la Generalitat Valenciana, the predominant style is 15th-century civil Gothic, with the incorporation of Renaissance elements in the 16th century. Its architecture can be analyzed from various perspectives, with a particular focus on its courtyards and facades, which feature stone construction in the form of portals

or staircases, as well as other elements such as carpentry: coffered ceilings, doors, and windows. Among the windows, the variety and formal richness of their decorative motifs stand out, featuring a diverse repertoire based on geometric designs that can be analyzed using regular polygons and various types of tessellations (Soler, 2023). As an example, the geometric basis of the carpentry in the entrance portal of the north facade is defined, where two types of patterns can be observed. The upper part of the pattern is based on a semi-regular tessellation of triangles and hexagons, creating star-shaped motifs surrounded by six hexagons. The lower part of the pattern is based on a periodic tessellation formed by octagons connected at their vertices and four-pointed stars. For AR, the geometric patterns are superimposed from a frontal viewpoint, highlighting the tessellations. At the top of the screen, a section labeled "more information" opens a window explaining the analysis of the corresponding tessellation (fig. 5).

6. CONCLUSIONS

New technologies have expanded the range of possibilities in implementing tools for the knowledge, research, and development of Cultural Heritage (Val & Soler, 2021). This research presents Augmented Reality as a graphical technology for visualization and interaction that introduces an innovative development in this field.

This application enhances situated learning, which takes place in a specific context through the "educational city." It offers visitors the opportunity to explore cultural heritage while learning. The city appears as an environment or container of education (learning in the city), a source or educational agent (learning from the city), and an objective or content of education (learning about the city) (Trilla, 1997). However, these dimensions intertwine, and the city is simultaneously an environment, a vehicle, and a content of education.

The graphic material derived from the theoretical research analyzed in the preceding sections shapes the survey needs into two categories: short-range and long-range systems. Short-

range systems are used for object surveys, details, and sections, while long-range systems are employed for vaults, elevations, or even complete floor surveys.

AR enhances the information in real-time tours by providing an interactive framework with the physical world. It is a useful tool for interpreting and understanding geometry in physical environments. The application enables brief descriptions, bibliographic references, and survey plans to accompany the visit and provide references to the analyzed geometry. As a future development within the application, it could be possible to track users' routes and enable visitors or observers to incorporate and share observations and images.

REFERENCES

- Amin, D., & Govilkar, S. (2015). Comparative study of augmented reality SDKs. *International Journal on Computational Science & Applications*, 5(1), 11-26.
- Aso, B., Navarro-Neri, I., García-Ceballos, S., & Rivero, P. (2021). Quality requirements for implementing augmented reality in heritage spaces: Teachers' perspective. *Education sciences*, 11(8), 405.
- ARCore. [cited 2023 July 30] Available from: <https://developers.google.com/ar/develop?hl=en>
- ARKit. [cited 2023 July 30] Available from: <https://developer.apple.com/documentation/arkit>
- AR-media. [cited 2023 July 30] Available from: <https://www.in-globetechnologies.com/ar-media/>
- Calvo López, J., & Rabasa Díaz, E. (2016). Construcción, dibujo y geometría en la transición entre Gótico y Renacimiento.
- Cohen, M., & Cohen, M. A. (2014). Introduction: Two kinds of proportion. *Architectural Histories*, 2(1).
- Damala, A., Cubaud, P., Bationo, A., Houlier, P., & Marchal, I. (2008). Bridging the gap between the digital and the physical: design and evaluation of a mobile augmented reality guide for the museum visit. In *Proceedings of the 3rd international conference on Digital Interactive Media in Entertainment and Arts* (pp. 120-127).
- Dogan, E., & Kan, M. (2020). Bringing heritage sites to life for visitors: towards a conceptual framework for immersive experience. *Advances in Hospitality and Tourism Research (AHTR)*, 1-24.
- Gentil Baldrich, José M. (2014). Prólogo: Sobre la Proporción y los Trazados geométricos en la Arquitectura. In F. Soler Sanz. *Trazados reguladores en la arquitectura*. (pp. 11-55). Valencia: Felipe Soler Monreal.
- Fua, P., & Lepetit, V. (2007). Vision based 3D tracking and pose estimation for mixed reality. In *Emerging technologies of augmented reality: Interfaces and design* (pp. 1-22). IGI Global.
- Han, D. I., tom Dieck, M. C., & Jung, T. (2018). User experience model for augmented reality applications in urban heritage tourism. *Journal of Heritage Tourism*, 13(1), 46-61.
- Khan, I., Melro, A., Amaro, A. C., & Oliveira, L. (2020). Systematic review on gamification and cultural heritage dissemination. *Journal of Digital Media & Interaction*, 3(8), 19-41.
- Kounavis, C. D., Kasimati, A. E., & Zamani, E. D. (2012). Enhancing the tourism experience through mobile augmented reality: Challenges and prospects. *International Journal of Engineering Business Management*, 4, 10.
- Lepetit, V., Laguer, P., & Fua, P. (2005). Randomized trees for real-time keypoint recognition. In *2005 IEEE Computer Society Conference on Computer Vision and Pattern Recognition (CVPR'05)* (Vol. 2, pp. 775-781). IEEE.
- Llopis Verdú, J. L. (2007). El claustro del Colegio de Corpus Christi de Valencia. *Análisis formal y compositivo*. *Archivo español de arte*, 80(317), 45-65.
- López González, M. C., & García Valldecabres, J. L. (2012). Una metodología para el análisis de los trazados reguladores clásicos de la arquitectura. *EGE Revista De Expresión Gráfica En La Edificación*, (7), 108-114. <https://doi.org/10.4995/ege.2012.12506>
- Luna, U., Rivero, P., & Vicent, N. (2019). Augmented reality in heritage apps: current trends in Europe. *Applied Sciences*, 9(13), 2756.
- Onecha, B., Cornadó, C., Morros, J., & Pons, O. (2023). New Approach to Design and Assess Metaverse Environments for Improving Learning Processes in Higher Education: The Case of Architectural Construction and Rehabilitation. *Buildings*, 13(5), 1340. <https://doi.org/10.3390/buildings13051340>
- Oufqir, Z., El Abderrahmani, A., & Satori, K. (2020, June). ARKit and ARCore in serve to augmented reality. In *2020 International Conference on Intelligent Systems and Computer Vision (ISCV)* (pp. 1- 7). IEEE.
- Pervolarakis, Z., Zidianakis, E., Katzourakis, A., Evdaimon, T., Paratarakis, N., Zabulis, X., & Stephanidis, C. (2023). Visiting Heritage Sites in AR and VR. *Heritage 2023*, 6(3), 2489-2502. <https://doi.org/10.3390/heritage6030131>
- Rahaman, H. (2018). Digital heritage interpretation: a conceptual framework. *Digital creativity*, 29(2-3), 208-234.
- Ruiz de la Rosa, J. A. (1987). *Traza y simetría de la arquitectura*. Sevilla: Publicaciones Universidad de Sevilla.
- Soler-Estrela, A., Cabeza González, M., Mañez Pitarch, M. J., & Sáez Riquelme, B. (2011). Geometría y construcción en la iglesia arciprestal de Sant Mateu (Castellón): las trazas de los sistemas abovedados. In *Actas del Séptimo Congreso Nacional de Historia de la Construcción* (Vol. 26, p. 29).
- Soler-Estrela, A., & Cabeza González, M. (2014). Los rosetones de la iglesia arciprestal de Santa María la Mayor. Morella, Castellón. In *Nuevas técnicas, mismos fundamentos* (pp. 266-271). Rueda.
- Soler-Estrela, A. (2023). Trazados geométricos en la carpintería de los palacios valencianos: estudio de teselaciones. *VLC arquitectura. Research Journal*, 10(1), 153-179.
- Soler Verdú, R. (1987). Estudios previos de la Iglesia y Convento del Carmen. Generalitat Valenciana. Conselleria de Cultura, Educació i Ciència. Inédito.
- Trilla, J. (1993). La educación y la ciudad. *Otras Educaciones. Animación sociocultural, formación de adultos y ciudad educativa*. *Revista Anthropos*. Universidad Pedagógica
- UNESCO (1972) Recommendation Concerning the Protection of the World Cultural and Natural Heritage; The United Nations Educational, Scientific and Cultural Organization. [cited 2023 June20] France; Available from: <https://www.unesco.org/en/legal-affairs/recommendation-concerning-protection-national-level-cultural-and-natural-heritage>.
- UNITY. [cited 2023 July 30] Available from: <https://docs.unity3d.com/Manual/PlatformSpecific.html>
- UNREAL ENGINE. [cited 2023 July 30] Available from: <https://docs.unrealengine.com/5.0/en-US/support-ed-xr-devices-in-unreal-engine/>
- Val Fiel, M., & Soler-Estrela, A. (2021). Interactive Virtual Reality applications for the enhanced knowledge of Spanish Mediterranean Fortress-Castles. *Disegnare-Con*, 14(27), 19-1.
- Vuforia engine. [cited 2023 July 30] Available from: <https://developer.vuforia.com/>
- Wikitude. [cited 2023 July 30] Available from: <https://www.wikitude.com/>

Realidad Aumentada para los Centros Históricos de las Ciudades: Un análisis geométrico interactivo

1. INTRODUCCIÓN

En el caso de las ciudades europeas, los centros históricos son los lugares donde se concentra la mayor parte del patrimonio cultural y arquitectónico. Su valor cuenta no solo con el reconocimiento general, sino que es habitual que estén protegidos por las leyes. Su visita tiene un gran potencial divulgativo que puede fomentarse con determinados recorridos y puntos de interés dentro de la oferta cultural y turística

La Unesco, ya en 1972 hablaba (art.1) no solo de monumentos, sino de grupos y monumentos, como sería el caso de las tramas urbanas. Por otra parte (art. 13) se indicaba la necesidad de que los servicios públicos desarrollen y pongan en práctica medidas no solo para la protección y conservación, sino también para la puesta en valor y para la incorporación activa a la vida de la comunidad. Desde ese punto de vista, el trabajo que se

presenta parte de los valores arquitectónicos de un centro urbano, y la necesidad de transmitirlo a la sociedad.

El gran interés de la arquitectura histórica hace que pueda ser estudiada desde distintos puntos de vista. Uno de ellos es el del análisis de sus formas y dimensiones, en una búsqueda de los trazados geométricos que guiaron su construcción. Es un tema específico que genera unos contenidos que en muchos casos merecen ser difundidos. Las nuevas tecnologías han ampliado el panorama de posibilidades en la implementación de herramientas para su divulgación. Esta investigación explora las posibilidades de la Realidad Aumentada (RA) como una tecnología de visualización e interacción gráfica que introduce un desarrollo innovador en el campo del Patrimonio Cultural con el hilo conductor de los trazados geométricos en el Centro histórico de Valencia.

1.1 REALIDAD AUMENTADA EN EL PATRIMONIO CULTURAL

La implementación de la Realidad Aumentada como recurso didáctico está siendo investigada desde distintas perspectivas, tanto en ámbitos como el Turismo (Kounavis, 2012; Han, 2018), la Museología (Damala, 2008), el Patrimonio y la Cultura en general (Luna, 2019). Recientes experiencias aplicadas a casos concretos de arquitectura histórica muestran como estas tecnologías pueden crear nuevas dimensiones para la divulgación y el ocio (Pervolarakis et al., 2023). Son también múltiples las posibilidades educativas que utilizan el recurso de la Realidad Aumentada y sus aplicaciones al metaverso, como es el caso de una experiencia docente desarrollada para estudiantes de arquitectura (Onecha et al, 2023). En el contexto específico de los centros históricos, destacan las aplicaciones que se basan en

sistemas de información geográfica, aquellas que proponen un recorrido turístico o aplicaciones que tratan de inducir al juego (Khan, 2020).

Se destaca la creciente implantación de apps de RA en la educación patrimonial, con el objetivo de favorecer la comprensión, el disfrute, la experiencia y el conocimiento del patrimonio en contextos académicos, pero también para entender y vincular la sociedad con su patrimonio. Investigaciones como las de Aso, et al (2021) inciden en que usuarios con conocimientos previos expresan una mayor demanda por las posibilidades didácticas de la RA, mientras que los usuarios poco expertos destacan los aspectos más superficiales y atractivos del potencial de la nueva tecnología.

1.2 ARQUITECTURA HISTÓRICA VALENCIANA

Para la aplicación de RA en distintos lugares, se debe tener en cuenta cual es el tipo de patrimonio que encontramos y su representatividad, así como el interés desde el punto de vista analizado, y las posibilidades de visita y observación de los emplazamientos.

En el caso de la ciudad de Valencia, es importante situarse en su contexto histórico, en el que cabe señalar su origen romano y la posterior presencia musulmana, apreciable todavía en algunos lugares. Pero el primer momento histórico que destaca en la visita a la ciudad es el gótico, con edificios significativos del esplendor económico siglos XIV a XVI, en los que la transición al renacimiento se produce en época temprana. Posteriormente aparecen excelentes ejemplos del barroco, y del neoclasicismo. Los estilos se funden en la arquitectura, con momentos de transición en los que se combinan y superponen estilos. Sobre el tipo de edificio son destacables los de tipo religioso, pero aparecen también excelentes casos de arquitectura civil.

2. LOS TRAZADOS GEOMÉTRICOS EN EL PATRIMONIO ARQUITECTÓNICO

Para el desarrollo de la propuesta es necesario conocer los antecedentes de los estudios sobre

trazados geométricos en el patrimonio arquitectónico. Más allá de casos concretos, hay que tener en cuenta ciertas consideraciones sobre el modo en que se han aplicado los conocimientos y criterios geométricos en la historia de la arquitectura. Esto permite definir los temas de mayor interés aplicados a casos concretos, y su resultado gráfico, para extraer los valores que se quiere transmitir y sus posibilidades de aplicación al desarrollo de la RA.

Es un tema complejo y difícil de resumir. Se parte de la idea de que la arquitectura tiene la necesidad de definir aquello que se va a ejecutar. Con una lógica constructiva, el proceso comienza definiendo la planta, para lo que se utilizaría algún recurso para el control de las formas y dimensiones. Sucesivas operaciones conducirán al desarrollo vertical. Para este proceso se debía seguir algún criterio, por lo que puede buscarse una base geométrica de proporción o trazado que habría guiado a su construcción.

Debe tenerse en cuenta que los casos de estudio se construyeron en distintos periodos históricos. A la hora de analizar un edificio, es necesario situarse en el contexto de los conocimientos geométricos que se tenían en las distintas épocas y en cómo podían utilizarse para definir la arquitectura. A través de estudios de distintos autores podemos considerar empezando por la antigüedad, que en la arquitectura griega (Gentil, 2014) las formas se obtenían principalmente con regla y compás con el apoyo de una aritmética reducida, para la obtención de figuras básicas como círculos, cuadrados, rectángulos y polígonos como el hexágono y el octógono. En cuanto a los triángulos, destaca el de lados de proporciones 3, 4, 5 con el que se obtiene el ángulo recto, y era utilizado en otras culturas como la egipcia.

Ya en la Edad Media, y sobre todo en el gótico, la geometría se asocia directamente a los oficios. Se servían de la representación gráfica, mediante planos a escala para la idea general, pero sobre todo replanteos a escala real que servían para los despieces de los trabajos de cantería. Utilizarían métodos numéricos, por ejemplo, para la obtención de polígonos mediante aproximaciones,

pero también métodos gráficos, como el trazado de arcos apuntados: de medio, tercio, cuarto y quinto punto, o el proceso de la cuadratura Villard de Honnecourt.

Numerosos estudios tratan de dar respuesta a las formas y dimensiones generales de plantas y alzados. Pero el proceso de construcción debía definir también los elementos constructivos, pasando a un nivel de mayor detalle, como sería el caso de los trabajos de cantería. Los gremios de constructores conocían una serie de procedimientos prácticos, desarrollados con los instrumentos disponibles en lo que se ha denominado geometría fabrorum (Ruiz de la Rosa, 1987). Para este fin, los conocimientos teóricos sobre geometría clásica no tienen aplicación directa. Los canteros necesitaban aplicar otros métodos, como el de la proyección ortogonal, en operaciones que buscan la verdadera magnitud y la manera de trasladarla a la piedra. Algunos autores han estudiado la evolución del tardo Gótico al Renacimiento, un proceso que puede relacionarse con los inicios del desarrollo de la geometría descriptiva y proyectiva (Calvo & Rabasa, 2016). Cuestiones totalmente generalizadas posteriormente, como la utilización de la correspondencia entre planta y alzado, ya fue utilizada en la construcción gótica, aunque su mayor difusión comenzó en Italia en el siglo XVI (Gentil, 2014).

Por otra parte, en cuanto a la arquitectura clásica, se considera que en el Renacimiento surgen algunos cambios, como la aparición de una visión más culta que la de los oficios, destacando la figura del arquitecto y con mayor importancia a la fase de proyecto. El interés que surge en este periodo en la recuperación de la antigüedad, nos permite avanzar en el conocimiento de la arquitectura del Imperio Romano. Es el caso del tratado romano de Vitruvio, en el que para la definición de los edificios se basaba principalmente en las proporciones, mediante la división en partes, por ejemplo, para definir las plantas. Entre los tratados propiamente renacentistas, cabe destacar por su gran difusión el de Vignola, o el Tratado de Serlio con el interés de ser muy aplicado, incorporando numerosas ilustraciones. En general,

en los tratados sobre arquitectura clásica, puede considerarse que, aunque incorporan algún trazo geométrico apoyado en el uso del compás, principalmente describen proporciones, modulaciones y partes. Esto ocurre en la definición de los órdenes clásicos como una sucesión de medidas y subdivisiones.

Avanzando en el tiempo, en un recorrido sobre geometría y arquitectura, no puede dejar de mencionarse la figura de Gaspard Monge, y su obra *Geometría Descriptiva de 1799*, que supone un gran avance en la representación de superficies tridimensionales con aplicación directa a la estereotomía de la construcción en piedra, mediante el tallado de dovelas de bóvedas y arcos.

Volviendo a una visión general sobre los objetivos con los que se han utilizado los sistemas proporcionales como herramientas para definir las dimensiones, existe la idea de que no atendían tan solo a intereses pragmáticos, sino que se asociaban a ciertos ideales de orden y belleza. En relación con esto aparecen temas de gran interés desde un punto de vista teórico como serían los números armónicos, las relaciones musicales, la proporción áurea, etc, que han sido aplicados a distintos periodos y tipos de edificios, aunque surge también cierto escepticismo sobre la aplicación real de alguna de estas teorías, y una dualidad entre considerar las intenciones como estéticas o puramente pragmáticas (Cohen, 2014).

2.1 RESULTADOS GRÁFICOS. APLICACIONES.

Son numerosos los estudios que se han realizado sobre estos temas, aplicados a gran variedad de edificios y estilos arquitectónicos. La mayoría de autores coinciden en que los análisis que podemos realizar conducen tan solo a hipótesis, en ocasiones sin poder decantarse por una sola. Conviene diferenciar entre el proceso seguido por los artífices, y la interpretación que hacemos ahora, sin que pueda comprobarse si estaba en el planteamiento de quienes lo idearon o construyeron. De cualquier forma, más allá del indudable valor de tratar de comprender el proceso en las fases de proyecto o construcción, el estudio geométrico sirve tam-

bién para comprender la arquitectura existente. El análisis de las formas tiene aplicación en la observación y representación gráfica.

Entre los análisis geométricos puede establecerse la diferencia entre planteamientos basados la proporción o en el trazado. En los primeros, las formas vienen definidas por series numéricas que relacionan distintas magnitudes y que pueden generar tramas modulares. Para ser más generales las partes pueden ser adimensionales, pudiéndose adaptar a casos concretos con la utilización de unidades metrológicas tradicionales (pies, palmos, varas, etc). Por otra parte, estarían los métodos basados en trazados, es decir procesos de dibujo geométrico auxiliar con la utilización de arcos de círculo, polígonos... que definen las formas. Ambos planteamientos están relacionados, puesto que ciertos trazados, como los polígonos regulares, se obtenían de manera aproximada con determinadas proporciones. Por lo tanto, los resultados habituales de los análisis geométricos por lo general son dibujos de tramas modulares o trazados de rectas y arcos de círculo. Cualquiera que sea el método utilizado se considera que para ser eficaces debían ser sencillos.

En cuanto al material gráfico resultante de los análisis de trazado de edificios históricos realizados por distintos autores, generalmente se representan mediante líneas (frecuentemente de trazo o trazo y punto mostrando ejes), muchas veces superpuestas a dibujos de vistas de alzados y plantas, pero a veces también sobre nubes de puntos o incluso fotografías. Lo más abundante son las plantas generales de grandes edificios, frecuentemente religiosos, definiendo los anchos de las naves y las formas de ábsides y capillas, por lo general de trazado poligonal. Por otra parte, se estudian las dimensiones y trazados verticales de las fachadas, con la aparición frecuente de arcos de distintos tipos. En el caso particular de las iglesias góticas, destacan las bóvedas de crucería, en las que se define el trazado en planta y el trazado abatido de la elevación de distintos arcos, enlazando con temas específicos de tallado de piedra y cantería (Soler et al., 2011). Además, pueden estudiarse otros elementos de menor escala, como

las plantillas de los nervios u otros elementos como pináculos, rosetones (Soler-Estrela & Cabeza, 2014) alicatados, pavimentos (fig. 1).

3. OBJETIVO

Se propone una aplicación de Realidad Aumentada que aglutine y difunda investigaciones de trazados geométricos de la arquitectura de los centros históricos. Con ello, la geometría se convierte en objeto de estudio y en el argumento del recorrido, construyendo escenarios de aprendizaje digital potenciados por un aprendizaje situado. El conjunto de propuestas planteadas se enmarca en el Centro Histórico de Valencia.

El objetivo de la aplicación es el de potenciar la capacidad de observación de los visitantes y el interés de los análisis geométricos, para promover la difusión del patrimonio cultural, mediante un sistema de RA en un contexto urbano patrimonial.

3.1 DIDÁCTICA Y DIFUSIÓN DEL PATRIMONIO URBANO

Un centro histórico es un contexto específico, una "ciudad educativa" en la que se puede potenciar el aprendizaje situado, con la posibilidad de ofrecer a los visitantes recorridos y puntos de interés del patrimonio cultural. En este sentido, la experiencia de la visita a un lugar histórico puede transmitir un variado tipo de valores (Dogan et al, 2020) tanto los que potencian su realidad física, como aquellos enfocados en su historia. Según algunos autores, la experiencia inmersiva en sitios patrimoniales puede basarse en cuatro aspectos (Rahaman, 2018): satisfacer las expectativas, fomentar la conservación y protección del patrimonio, promover el aprendizaje de la historia y la cultura pasadas, y presentar el pasado desde múltiples perspectivas.

El objetivo de este artículo es explorar las posibilidades de la RA aplicada a los trazados geométricos de la arquitectura de los centros históricos. La definición de los contenidos debe realizarse teniendo en cuenta el público al que va dirigido. Más allá del desarrollo de material enfocado al

público general incluido el turístico, se propone un material más específico, orientado a fines didácticos. La idea es crear situaciones de aprendizaje que por una parte fomenten valorar el patrimonio arquitectónico, pero por otra supongan la profundización en conocimientos concretos sobre la geometría, y la forma en que se ha aplicado a la construcción de edificios.

4. METODOLOGÍA

Se propone el desarrollo de una aplicación de RA que permita incluir la representación tridimensional de elementos o la superposición de trazados con la entrada de la cámara de los dispositivos móviles. La aplicación utiliza los datos que proporciona el sistema GPS del terminal. Para la detección utiliza métodos de seguimiento basados en patrones o imágenes con el fin de superponer trazados o modelos 3d creados a través de un entorno RA. Las fases son captación, identificación y reconocimiento, superposición y visualización (Lepetit, 2005; Fua, 2007).

Por una parte, la pantalla muestra lo que la cámara capta y sobre la imagen de lo que tenemos delante, en tiempo real se superpone la información gráfica adicional correspondiente. La visualización que resulta en pantalla se corresponde con la información ampliada de trazados, módulos o tramas, junto con la referencia bibliográfica correspondiente (fig. 2 y 3).

No obstante, cuando la forma o el análisis geométrico afecta a formas complejas o no visibles como es el caso de arcadas, bóvedas, o secciones (fig. 4), la información adicional a evidenciar se realizará sobre una reproducción tridimensional del modelo o de la geometría.

Adicionalmente en ambos casos, se puede ampliar la información con el enlace a imágenes o textos que complementan y amplían el análisis (fig. 5).

4.1 LEVANTAMIENTOS Y TÉCNICAS

Con el fin de reproducir la geometría existente para representar aquellos estudios de difícil superposición sobre el entorno real, se analizan las

distintas técnicas de captura según los condicionantes y las necesidades requeridas. El flujo del levantamiento a la RA dependerá de la escala del objeto y de la tecnología asociada (con sus respectivos condicionantes, densidad de puntos y optimización para su integración en la aplicación). Las especificaciones del equipo son las que determinan la resolución, exactitud, la distancia de trabajo y dimensiones del objeto a escanear. Parte de la experiencia desarrollada se ha realizado con un escáner 3D portátil EinScan. Aunque estos escáneres manuales permiten escanear en un rango de dimensiones entre 3 – 300 cm, muchas veces nos encontramos con limitaciones humanas frente a la altura del objeto a escanear. Se ha utilizado un escáner EinScan Pro 2X con una resolución de 0.2 mm, a una distancia de trabajo de 50 cm para objetos con dimensiones aproximadas de metro y medio.

Para los levantamientos, en el caso de objetos de dimensiones pequeñas y para exteriores se utilizan escáneres portátiles con tecnología LIDAR (Light Detection and Ranging). La medición se produce por la emisión de una luz láser que rebota en la superficie y que es captada por una lente que determina la distancia hasta ella. El resultado que se obtiene de la medición es una nube de puntos, con la que se procesa en tiempo real una malla tridimensional (fig. 6).

En el caso de objetos de dimensiones pequeñas y para interiores se proponen escáneres de luz estructurada. Esta no es una técnica adecuada para exteriores por su alta sensibilidad a la luz del entorno. Tampoco para la medición de superficies reflectantes, sin embargo, es idónea para interiores, en las que las condiciones lumínicas sean escasas. Estas técnicas de reconstrucción 3d se basan en la proyección de un patrón de luz sobre el objeto a escanear. El análisis del patrón proyectado sobre la superficie permite deducir la forma de los objetos. Los escáneres de luz estructurada están compuestos de una o dos cámaras y un proyector.

El resultado que se obtiene de la medición es nuevamente una nube de puntos. En el caso de los escáneres de luz estructurada la densidad de la

nube es altísima y es imprescindible la edición de la malla generada. La resolución tiene que optimizarse con el fin de que pueda ser manejada ágilmente por la aplicación instalada en el terminal.

Dentro de la categoría de objeto pequeño/mediano de los que se presentan en la propuesta se incluye la pilastra del convento del Carmen (fig. 4), la vala del Palau de la Generalitat (fig. 6) y el detalle geométrico de la puerta del Palau de la Generalitat (fig. 5). Para registros de fachadas de mayor dimensión se utiliza tanto el escáner láser terrestre (TLS) con cámara interna que recoge la información RGB, como los sistemas fotogramétricos de rectificación (para elementos planos, a partir de una fotografía) y de restitución (obtención de fotoplanos a partir de modelos 3D).

El objetivo de la toma de datos es reproducir la geometría existente. A partir de la nube de puntos que contiene la información geométrica superficial se obtiene una malla poligonal de triángulos. En este proceso es necesaria la eliminación del posible ruido que quede registrado junto con la optimización del modelo poligonal. Además, junto con la información geométrica, estos sistemas ópticos permiten capturar la información de color, de manera que cada valor tiene asociada su información RGB.

4.2 APLICACIÓN: TECNOLOGÍAS

Si entramos en el desarrollo de la aplicación de RA es necesario por una parte un kit de desarrollo de software (SDK) y por otra la gestión con un software que permita la renderización 3D. En este sentido hay que analizar la compatibilidad entre los Kits de Realidad Aumentada con los motores de desarrollo.

Por una parte, plataformas de código abierto como ARKit de Apple y ARCore de Google para Android permiten a los desarrolladores integrar las experiencias vinculadas a una ubicación específica, la detección de objetos y el seguimiento de imágenes. Investigaciones como las de Oufqir et al (2020) analizan sus funcionalidades, entre las que destacan el seguimiento de movimiento, detección de planos, estimación de luz, seguimiento

de imágenes y detección de rostros. Otras plataformas comerciales como Vuforia, Wikitude y ARmedia ofrecen diferentes funcionalidades correspondiéndose con el tipo de licencia (Amin & Govilkar, 2015).

Por otra parte, es necesario trabajar con un motor de renderizado como Unity o Unreal, que transforme los recursos en una representación visual e interactiva finalmente en el terminal del usuario. En el caso de ARKit y ARCore ambos son compatibles con Unity o Unreal.

5. RESULTADOS

Dentro de las estrategias de difusión del patrimonio cultural, el objetivo es fomentar la observación y el conocimiento de la arquitectura histórica, incluyendo el análisis geométrico en el contexto urbano, a través de una aplicación de realidad aumentada, posibilitando la interpretación de su arquitectura histórica.

La aplicación RA propuesta permite aglutinar y difundir investigaciones desarrollados por distintos investigadores en el contexto del centro histórico de Valencia (fig. 7). Las posibilidades de implementación se han desarrollado a través de una serie de ejemplos de edificios representativos del centro histórico de Valencia.

En el caso de las de Torres Serranos, se trata de un destacado monumento, que servía de puerta de entrada a la ciudad amurallada en época medieval. Fue construida por reconocido arquitecto y maestro cantero Pere Balaguer durante el siglo XIV. Está formada por dos torres de planta poligonal, con tres plantas abovedadas. La imponente fachada exterior es de sillería muy cuidada y era un símbolo del poder de la ciudad. En cuanto a los estudios sobre sus formas y proporciones, López González & García Valldecabres (2012) plantean una hipótesis sobre la aplicación de series dinámicas de rectángulos basados en las teorías de Hambidge, que es representado en planta y alzado. Para la implantación en RA, el emplazamiento permite la elección de distintos puntos de vista. Se marca la posición para indicar el punto óptimo de visualización, un punto de vista frontal

a una distancia que permite la visión completa del alzado, sobre el que se superpone el trazado de líneas correspondiente al análisis (fig 2).

En el Colegio del Corpus Christi se encuentra un claustro, construido a finales del siglo XVI, considerado como una de las obras renacentistas más significativas de la ciudad de Valencia. Su análisis formal y compositivo (Llopis Verdú, 2017) permite conocer, entre otras cosas, el esquema proporcional del alzado de las galerías del claustro, con una relación de 2 a 1 entre la altura hasta la cornisa y el intereje de las columnas. Para la implantación en RA, se elige nuevamente un punto de vista frontal sobre el que se superpone el trazado de líneas correspondiente al análisis (fig.3).

En el conjunto monumental del antiguo Convento del Carmen, destacan distintos espacios como la iglesia y sus dos claustros, uno gótico y otro renacentista. El primero, construido en los siglos XIV y XV, está configurado por arcos apuntados y bóvedas de crucería. El estudio previo a las intervenciones llevadas a cabo a finales del siglo XX, consta de una extensa y rigurosa documentación gráfica, y diversos análisis entre los que se encuentra el de las molduras y basa de las pilastras de los arcos del claustro gótico, que incorpora una propuesta del trazado de la plantilla, en un esquema triangular (Soler Verdú. 1987). Para la implantación en RA, la aplicación identifica la posición y la imagen de la pilastra. Se marca la posición para indicar el punto óptimo de visualización y con el fin de identificar que se tiene información ampliada en esa situación. En este caso que quiere destacar el detalle de la moldura en la basa de la pilastra. El deterioro de la piedra en algunas zonas hace difícil reconocer su geometría. La app abre la geometría en 3d que te permite girar y tocar para explorar junto con el estudio original inédito del proyecto en estudio (fig.4).

En el caso del Palau de la Generalitat Valenciana, predomina el estilo gótico civil del siglo XV, con la incorporación de elementos renacentistas en el siglo XVI. Su arquitectura puede analizarse desde distintos puntos de vista, destacando en sus patios y fachadas la construcción en piedra de portadas o escaleras, pero también otros elementos

como los de carpintería: artesonados, puertas y ventanales. Sobre estos últimos, destaca la variedad y riqueza formal de sus motivos decorativos, con un variado repertorio, basado en dibujos geométricos, que pueden ser analizados mediante la utilización de polígonos regulares, y los distintos tipos de teselaciones (Soler 2023). A modo de ejemplo se ha definido la base geométrica de la carpintería de la portada del acceso de la fachada norte, en la que se observan dos tipos de patrón. En la parte superior, el trazado tiene como base la teselación semirregular de triángulos y hexágonos, generando dibujos de estrellas de seis puntas rodeadas de seis hexágonos. En la parte inferior, el trazado tiene su base en una teselación periódica formada por octógonos unidos por sus vértices y estrellas de cuatro puntas. Para la RA nuevamente desde un punto de vista frontal se superponen los trazados geométricos reconociendo los patrones. En la parte superior de la pantalla, un apartado etiquetado como "más información" abre una ventana en la que se explica el análisis de la teselación correspondiente (fig 5).

6. CONCLUSIONES

Las nuevas tecnologías han ampliado el panorama de posibilidades en la implementación de herramientas para el conocimiento, investigación y desarrollo del Patrimonio Cultural (Val & Soler, 2021). Esta investigación presenta la Realidad Aumentada como una tecnología gráfica de visualización e interacción que introduce un desarrollo innovador en este campo.

Con esta aplicación se potencia el aprendizaje situado como aquel que se lleva a cabo en un contexto específico a través de la "ciudad educativa". Se ofrece a los visitantes la posibilidad de recorrer el patrimonio cultural aprendiendo. La ciudad aparece como entorno o contenedor de educación (aprender en la ciudad), como fuente o agente educativo (aprender de la ciudad), y como objetivo o contenido de la educación (aprender la ciudad) (Trilla, 1997); sin embargo, estas dimensiones se entremezclan, y la ciudad es a la vez entorno, vehículo y contenido de educación.

El material gráfico que se deriva de las investigaciones teóricas analizadas en los apartados precedentes estructura las necesidades de levantamiento en dos bloques: Sistemas de corto y de largo alcance. Los sistemas de corto alcance se utilizan para los levantamientos de objetos, detalles y secciones. Los sistemas de largo alcance se utilizan para los casos de bóvedas y alzados, o incluso para el caso, de necesitarse, de levantamientos completos de plantas.

La RA amplía la información en el recorrido en tiempo real definiendo un marco interactivo con el mundo físico. Es una herramienta útil para la interpretación y el conocimiento de la geometría trasladada a los entornos físicos. La aplicación hace posible incluir breves descripciones, referencias bibliográficas, planos de levantamiento acompañando a la visita y referenciado a la geometría analizada. Dentro de la aplicación puede plantearse como desarrollo futuro, que la ruta de los usuarios pueda ser registrada y que el visitante u observador pueda incorporar y compartir observaciones e imágenes.