

Document downloaded from:

<http://hdl.handle.net/10251/65520>

This paper must be cited as:

Patrao Herrero, I.; Figueres Amorós, E.; Garcerá Sanfeliú, G.; González Medina, R. (2015). Microgrid architectures for low voltage distributed generation. *Renewable and Sustainable Energy Reviews*. 43:415-424. doi:10.1016/j.rser.2014.11.054.



The final publication is available at

<http://dx.doi.org/10.1016/j.rser.2014.11.054>

Copyright Elsevier

Additional Information

Microgrid architectures for low voltage distributed generation

Iván Patrao*, Emilio Figueres, Gabriel Garcerá, Raúl González-Medina

Grupo de Sistemas Electrónicos Industriales del Departamento de Ingeniería Electrónica, Universidad Politécnica de Valencia, Camino de Vera s/n, 46022 Valencia, España.

e-mail addresses: ivpather@upvnet.upv.es, (I. Patrao), efiguere@eln.upv.es (E. Figueres), ggarcera@eln.upv.es (G. Garcerá), raugonme@upvnet.upv.es (R. González-Medina).

*Corresponding author. e-mail address: ivpather@upvnet.upv.es. Phone number: +34 963 87 96 06.

Abstract

The high penetration of distributed generators, most of them based on renewable energy sources, is modifying the traditional structure of the electric distribution grid. If the power of distributed generators is high enough to feed the loads of a certain area, this area could be disconnected from the main grid and operate in islanded mode.

Microgrids are composed by distributed generators, energy storage devices, intelligent circuit breakers and local loads. In this paper, a review of the main microgrid architectures proposed in the literature has been carried out. The microgrid architectures are first classified regarding their AC or DC distribution buses. Besides, more complex microgrid architectures are shown. Both advantages and disadvantages of each one of the microgrid families are discussed.

Keywords

Microgrids, smart-grids, distributed generation, architectures, ac-bus, dc-bus

1. Introduction

The traditional power distribution structure (centralized generation) is formed by high-power generators (nuclear power plants, coal power plants, etc.), normally far from the consumers (cities, industries, etc.) [1]. The high penetration of distributed generators, most of them based on renewable energy sources, is modifying the traditional structure of the power distribution, leading to a more distributed generation scenario [1;2]. In a microgrid the generators are generally closer to the loads, so that a group of local loads and generators can be disconnected from the grid, operating in islanded mode [3, 4]. Energy storage devices improve the reliability of the overall system, supporting the distributed generators power capability in the cases when they can't supply the full power required by the consumers. Thus, a microgrid is a cluster formed by local loads, distributed generators and energy storage devices, with the ability to operate connected to the grid or in islanded mode [5-8] (Figure 1).

A microgrid reduces the power losses in the electric distribution network, improves the power capacity of the grid, provides local voltage and frequency regulation support, improves the reliability and reduces the CO₂ emissions [9;10]. Moreover, microgrids reduce the high investment costs required for network upgrades [6]. Therefore, it is an interesting option to increase the performance and the penetration of distributed generators. Many research projects about microgrids have been started around the world in recent years [11-13], and it is expected that microgrids for low voltage distribution networks will increase significantly in the future [new14].

The selection of the proper microgrid architecture is a critical issue that must be done carefully, since it can seriously affect the economic viability of the project. It is necessary to consider the nature of the loads, the existing and planned distributed generators, the space to place the energy storage devices, the difficulty to place new electrical lines and the existing communications, among other relevant issues [15]. Thus, for designers it is very important to have a good knowledge about the strong and the weak points of the different topologies and architectures of microgrids. For example, in the common case of existing facilities with AC loads, the most suitable option is probably an AC-microgrid, because it needs minimal modifications on the existing installations. However, for new installations other alternatives with a better performance can be considered.

1 This paper deals with the most common architectures of microgrids which have been shown in the recent literature.
2 Some of those microgrids are working in commercial facilities, others in research projects. The microgrid architectures
3 are based on either AC or DC buses, or on a combination of both, seeking the highest reliability and efficiency of the
4 microgrid. The paper is organized as follows: in section 2 the main elements of a microgrid are described and the
5 different alternatives are discussed, outlining their advantages and disadvantages; in section 3 the most usual microgrid
6 architectures are presented, explaining their pros and cons, as well as the optimal application for each one of them;
7 section 4 contains a comparative study among all the aforesaid architectures; section 5 shows some practical microgrid
8 examples; finally, section 6 presents the main conclusions of the study.

9 **2. Description of the typical elements of a microgrid**

10 A microgrid is composed by the following elements: distributed generators, energy storage devices, local loads and
11 intelligent circuit breakers. It is a part of an electric power distribution system that can be disconnected from the main
12 grid and operate in islanded mode. The microgrid is connected to the main grid in the so called Point of Common-
13 Coupling (PCC). Table 1 shows and describes the symbols that are used in the figures along this paper.

14 **2.1. Distributed generators**

15 The Institute of Electrical and Electronics Engineers (IEEE) defines distributed generation as follows: “The generation
16 of electricity by facilities sufficiently smaller than central generating plants as to allow interconnection at nearly any
17 point in a power system” [16]. It is wide accepted that the power of a generator must be smaller than a few megawatts
18 (10-50MW) to be considered as a distributed one [16;17].

19
20
21 The most common distributed generators are low power units (<200kW) with power electronic interfaces [14;18]. The
22 performance of these generators must include low-noise and low-emissions characteristics, since it will be near the
23 consumption points (residential areas, industries, etc.). Besides, it is desired that the distributed generators provide a
24 high reliability with a low cost. Some examples of distributed generators for microgrids are: micro turbines (25-
25 100kW), wind generators, photovoltaic generators and fuel cells. Moreover, it is important to note that the emerging
26 Combined Heat and Power (CHP) technologies present some interesting characteristics to be used as potential
27 microgrid generators [6;19-22]. In addition, diesel or gas generators can provide an emergency support to the microgrid
28 improving the system reliability [23; 24].

29
30 The selection of the distributed generators for a microgrid is a complex issue. The characteristics and cost of the
31 different technologies, and also the official grants to some renewable resources, are key factors that must be taken into
32 consideration. In Table 2 it is shown a comparison of the cost of different generators used in microgrids, considering not
33 only their installation, but also other issues like the operation costs and maintenance needs [25].

34 **2.2. Energy storage devices**

35 In a microgrid some of the generators can be based on renewable energy sources; thus, the amount of the generated
36 power cannot be accurately controlled since it depends on uncontrollable factors like the weather (wind and sun)
37 conditions [14;26; 27]. Energy storage devices can improve the reliability and efficiency of those generators by storing
38 or by providing the power imbalance between the loads demand and the renewable power sources capability. In
39 addition, it provides the energy requirements for seamless transition between grid-connected and islanded operation
40 modes. Moreover, the energy storage devices can provide the transient differences between the source and the load
41 power, produced by loads connection or disconnection, due to the poor dynamic response of some generators [18;28-
42 30]. Some examples of energy storage devices are: batteries, ultracapacitors, flywheels or superconducting magnetic
43 energy storage (SMES) [31].

44
45
46 Normally, the size and weight of the batteries of a microgrid are not a major issue, but it is important to provide a long
47 storage time and a high current peak, mainly in the discharge process. Lithium-ion (Li-ion) batteries, being the preferred
48 option in electrical vehicles, with power densities of 150-200Wh/Kg, are not the optimal choice for a microgrid because
49 of their high cost (500-1500\$/kWh). The decay of the energy stored in the lead-acid batteries is around 0.1% per hour,
50 suitable for long-time storage; their power density varies between 30 and 40 Wh/Kg, ranging their cost between 100 to
51 200 \$/kWh. The typical charge-discharge cycle has an efficiency of 80% and provides a service life of 1000 complete
52 charge-discharge cycles (similar to Li-ion batteries). Thus, the lead-acid batteries are the preferred option in microgrids
53 [32,33].

54
55
56 Ultracapacitors are ideally suited for the charge and discharge of large amounts of power in short periods of time (some
57 kilowatts for a few seconds) with a large number of load-discharge cycles [34]. Flywheels are a common option to store
58 the eventual excess of energy produced by renewable energy sources and to reuse it when the available power is low.
59 The energy discharge time of commercial flywheel units ranges between 15 minutes and a few hours [32]. SMES can
60
61
62
63
64
65

1 quickly provide active and reactive power to the microgrid, so that they can be used to give response to the fast
2 transients of the microgrid. However, the energy cannot be stored for long periods of time [35].

3 The chosen energy storage system depends on the requirements about storage capacity, efficiency and storage time.
4 Batteries provide the largest storage time and capacity, but with the lower efficiency and a limited capability to supply
5 power peaks. The SMES provide a very high efficiency (> 95%) but the shortest storage time and capacity [31;36].
6 Ultracapacitors and flywheels can be classified between batteries and SMES. In a microgrid it is typical the use of a
7 combination of different energy storage devices to achieve a good tradeoff among their characteristics.

8 9 **2.3. Local loads**

10 In microgrids it is possible to connect or disconnect the local loads depending of the maximum power available in both
11 the generators and the storage devices. Thus, loads can be classified into two main groups: critical and non-critical loads
12 [37]. Critical loads require the highest power quality and reliability, while the non-critical loads require a lower service
13 quality. Commercial and industrial customers are usually considered as critical loads; most of residential customers can
14 be considered as non-critical loads. The non-critical loads should be disconnected if the generated power is below the
15 demanded value to guarantee the power supplied to the critical consumers [6;38]. Besides, the economical operating
16 costs of the microgrid should be optimized by a suitable load management [39].

17 18 **2.4. Intelligent circuit breakers**

19 Intelligent circuit breakers are used to manage the interconnection of the distributed generators, the local loads and the
20 grid [40]. The main circuit breaker, called Static Switch, is placed at the point of common-coupling (PCC) of the
21 microgrid and manages the grid-connected operating mode, the islanded mode and the transition between both
22 operating modes [41-43]. Furthermore, it is possible to use additional circuit breakers to manage the interconnection of
23 some feeders or loads [44] like, for instance, the non-critical loads interconnection.

24
25 The typical power semiconductor used for the implementation of a static switch is a triac, like that shown in Figure 2,
26 but some other circuits have been proposed in the literature [41;43;45]. The triac is the preferred option because it
27 supports large overcurrents, even kilo-amps during some grid cycles [46].

28 29 **3. Microgrid architectures**

30 Microgrids can be classified into six main groups, depending on the way in which the AC and DC buses are connected.
31 The proposed classification is as follows: AC-microgrid, DC-microgrid, hybrid AC-DC microgrid, AC-microgrid with
32 DC-storage, DC-zonal microgrid and Solid State Transformer (SST) based microgrid. In the following, these
33 architectures will be explained and discussed.

34 35 **3.1. AC microgrid**

36 An example of the AC microgrid architecture is shown in Figure 3. This kind is commonly known as the Consortium
37 for Electric Reliability Technology Solutions (CERTS) architecture [14;47-50]. The AC microgrid presents one or more
38 AC buses and any device must be connected to the microgrid by means of an AC interface, so that most of distributed
39 generators require DC/AC power electronic interfaces [50;51]. The microgrid is connected to the grid at the Point of
40 Common Coupling (PCC). Therefore, the whole microgrid can be a feeder from the distribution grid point of view.

41
42 The microgrid shown in Figure 3 is composed by three AC feeders; feeders 1 and 2 contain the distributed generators
43 and the critical loads, whereas the non-critical loads are connected to the feeder 3. Each feeder contains loads,
44 distributed generators and energy storage devices. The circuit breakers reconfigure the microgrid to adapt the generation
45 and consumptions to any operating conditions. The static switch manages the connection of the microgrid to the
46 distribution grid. If the quality of the electrical distribution grid is poor, then the static switch can be disconnected from
47 the microgrid, leaving the microgrid in islanded operation mode. In [46] the limits for intentional islanding of the
48 microgrid are defined for overvoltage (+10%), undervoltage (-20%), overfrequency (+0.5Hz), underfrequency (-0.5Hz)
49 and overcurrent (+30%). During a grid fault, the non-critical loads are disconnected from the grid, avoiding their
50 damage or malfunction; the static switch is opened and the critical loads are fed from both the distributed generators and
51 the energy stored in batteries and capacitors [52].

52
53 A hierarchical control structure for microgrids has been proposed in the literature [53;54]. Four control levels are
54 proposed: tertiary control level manages the power flows of the microgrid; the secondary control level keeps the
55 electrical levels in the microgrid and primary control level is used to make the system stable, using fast and safe control
56 algorithms. Besides, a level zero is defined, formed by the inner voltage and current control loops.

57
58 The most commonly used primary-level [55] control method for electronic converters feeding an AC microgrid is the
59 droop-control algorithm [12;44;54;56-58]. This control method provides a load sharing strategy without the use of any
60
61
62
63
64
65

critical communication link. Besides, it is necessary a high-level energy management control method, which takes the role of supervisor of the microgrid. There is a wide variety of energy management control methods provided in the literature [44;58-65]. The droop method deteriorates the regulation of the microgrid voltage and frequency. In [46] a maximum frequency droop of 1% at full power and a maximum voltage droop of 5% are proposed.

In the AC microgrid architecture operated in grid-connected mode, the power flows directly from the grid, avoiding any series-connected converter; this feature provides a high reliability. The feeders have the same voltage and frequency conditions as the grid, so that the loads, generators and energy storage devices must be grid-compliant. Those elements working at the grid voltage and frequency use a very mature technology, being thus highly reliable. It is worth pointing out that the existing electrical grids can be easily reconfigured to an AC microgrid scheme. The main drawback of this architecture is the large amount of complex power electronics interfaces required (inverters and back-to-back converters), so that the efficiency and reliability of the overall microgrid can be reduced. Complex electronic power converters present lower reliability than those with less components. In [66] it was studied the Mean Time Between Failures (MTBF) of different power converter topologies, having shown the MTBF value for capacitors, semiconductors and magnetic components. In general, the MTBF decreases as the complexity and the number of components of a microgrid increases. For instance, if the number of electrolytic capacitors of a power converter increases from 1 to 4 the MTBF is reduced to a third.

The AC microgrid is especially suitable for the integration of the microgrid concept into the existing facilities and, probably, will be the most common microgrid architecture in the near future.

3.2. DC microgrid

A sample of the DC microgrid architecture [67-69] is shown in Figure 4. The DC microgrid is connected through an AC/DC converter to the grid; if it is desired that the microgrid exports the excess in the generated power, this power electronic interface must be bi-directional. The DC microgrid presents a DC-bus with a regulated voltage; most distributed generators need a DC/DC or AC/DC power electronic interfaces to be connected to the bus. The AC loads require a DC/AC converter to adapt the bus voltage to the required conditions. DC loads sometimes can be connected directly to the DC bus or may need a DC/DC converter, depending on the bus voltage. To provide fast and stable load steps, some capacitors may be added to the bus without any electronic interface. Since the voltage of the DC bus is regulated by the main AC/DC converter, the DC bus voltage presents a very high quality, even under low quality distribution grids [70].

When the distribution grid fails, the microgrid must regulate itself the DC bus voltage, without the main AD/DC converter. Some control methods for this task has been developed and proposed in the literature [71-73]. Moreover, the power flow control from distributed generators and energy storage devices must take into account the available stored energy to obtain a better reliability [74].

Different types of DC microgrids have been presented in the literature [12], i.e. the monopolar, the bipolar and the homopolar type. Their architectures are similar to that shown in Figure 4, and the classification is based in the structure of the DC bus.

The DC microgrid architecture presents some advantages over the AC microgrid: a reduced number of (and simpler) power converters (DC/DC and rectifiers), the possibility to adapt the DC bus voltage to the microgrid requirements and a very high quality of the DC bus voltage, so that some DC loads can be connected directly to the DC bus. The main drawback of this architecture is the series-connected bidirectional AC/DC handling the whole power flow from/to the distribution grid, since it reduces the reliability. The MTBF parameter of a single stage inverter (full bridge) is around a 40% higher than that a double-stage one [75]. Besides, it requires a specific installation, being impossible to use the existing AC cabling and devices. Another disadvantage of the DC architecture is that AC loads can't be directly connected to the microgrid and the voltage of DC loads is not standardized. Thus, additional power stages would be needed to eventually adapt the DC bus level or to generate AC voltages.

3.3. Hybrid AC-DC microgrid

The AC-DC hybrid microgrid architecture consists in an AC microgrid with a DC sub-grid, tied together by a bidirectional AC/DC converter (Figure 5) [76-78]. Distributed generators can be connected to the AC or to the DC feeders. AC loads are connected to the AC feeder, whereas DC loads are connected to the DC feeder, using a power converter to adapt the voltage level if it is necessary. The DC sub-grid can act as a generator or a load of the AC microgrid, depending on the power balance at the DC feeder.

This architecture combines the advantages of AC and DC microgrids. There is a direct connection to the grid, thus presenting a high reliability; the AC feeder allows using the existing equipment; the DC feeder allows the use of a

1 reduced number of simpler converters. Moreover, some DC loads can be connected directly to the DC feeder, without
2 the need of any power converter. This microgrid architecture is suitable for installations with critical loads (at the DC
3 feeder) in combination with more robust loads (at the AC feeder).

4 **3.4. AC microgrid with DC storage**

5 To improve the flexibility of the AC microgrid it is possible to place the energy storage devices at a separate DC bus
6 [79], while the distributed generators and the AC loads are placed at a conventional AC bus. The interconnection with
7 the grid is done by means of a static switch, which manages the transition from islanded to grid-connected operating
8 modes and vice versa. This architecture is called AC microgrid with DC storage [6]. An example of this configuration is
9 shown in Figure 6. Generators and loads can be grouped at a single feeder or distributed at different ones. The energy
10 storage devices are placed in a separate DC bus and an AC/DC bidirectional power electronic interface is used to
11 connect each energy storage device [79].

12 Since it is easier and more robust to connect in parallel several energy storage devices to a DC bus, this architecture
13 groups this devices all together and, consequently, the microgrid sees a global and single energy storage system. The
14 performance of this microgrid architecture is similar to the hybrid AC-DC one, with an easier management of the
15 energy storage. However, the energy storage must be centralized at any physical point of the microgrid, so that this
16 microgrid architecture can be useful in facilities with a centralized storage of energy, i.e. a residential area with
17 communitarian energy services.

18 **3.5. DC-zonal microgrid**

19 In the DC-zonal microgrid several DC feeders are connected to the main AC bus through centralized bidirectional
20 AC/DC converters [67;80]. A block diagram of this architecture is shown in Figure 7. Distributed generators and loads
21 are connected to the DC feeders with the suitable power electronic interface. In this architecture the DC feeders can
22 provide different voltage levels, improving the performance of the microgrid.

23 This architecture provides the same advantages and disadvantages as the DC microgrid, but the DC-zonal microgrid
24 allows different DC bus voltages and management techniques at each feeder. The main drawback of this architecture is
25 the increased complexity because of the interconnection between feeders. This microgrid can be suitable for facilities
26 where the highest voltage quality and reliability is required.

27 **3.6. Solid State Transformer based microgrid**

28 In this kind of architecture the grid frequency transformer is replaced by a solid state transformer (SST). The SST can
29 use a high frequency transformer, reducing both the size and weight with regard to grid frequency transformers, and
30 provides AC and DC feeders to the microgrid. Also, the SST manages the power flow between the feeders and the grid
31 [81]. AC loads are connected directly to the AC feeder, and DC loads are connected to the DC feeder [67;82]. It is
32 preferred that distributed generators become connected to the DC feeder, since the electronic interfaces and the control
33 algorithm are more simple and robust. A scheme of this architecture is shown in Figure 8.

34 The SST is a single-input dual-output power converter [67;81;82] with a structure shown in Figure 9. The first stage is
35 an AC/DC converter, which provides a constant voltage and manages the current flow with the grid; next, a DC/DC
36 converter adapts the voltage level to the required by the DC loads; the last stage is a DC/AC converter that generates the
37 high quality voltage of the microgrid AC feeder.

38 The SST based microgrid architecture has the following advantages: very high quality energy, simple electronic
39 interfaces, simple connection of DC loads, compatibility with AC grid loads and robust management of energy storage
40 devices. Its main disadvantage is the solid state transformer, since it is a series-connected power converter, which
41 reduces the reliability and efficiency of the system. That efficiency reduction may be compensated by the small number
42 of power converters connected to the feeders.

43 **4. Microgrid architectures at a glance**

44 In order to get a better performance understanding of the architectures presented in this paper, it is interesting to
45 compare them by using the following criteria:

- 46 • Series connected power converters: a series connected power interface provides a high quality in the voltage of
47 the microgrid and easy management of the power flow, but degrades its reliability, since the probability of failure
48 is increased. A failure of this device affects the whole microgrid.
- 49 • Grid-compliant devices: A grid-compliant device is designed to run under the usual working conditions of the
50 grid, i.e. with voltage and frequency drifts, voltage distortion, voltage sags, flicker and voltage disruption.

- Possibility of reconfiguration of existing facilities: the wires, protection and switching devices in AC and DC microgrids have different characteristics. In an AC microgrid the existing devices in a traditional facility can be reused and minimal modifications need to be done, consequently, the reconfiguration to a microgrid is simple.
- Required number of power electronic interfaces: it is very common to need a power electronic converter to connect any device to a microgrid, adapting the voltage level and frequency between the device and the microgrid. In AC feeders the most common power interfaces are the DC/AC (inverters) to connect the distributed generators. AC/DC (rectifier) interfaces are needed to feed the DC loads, whereas bidirectional AC/DC converters are used for interfacing the energy storage devices. In DC feeders the most common power interfaces are the DC/DC converters to connect the distributed generators, energy storage devices and some DC loads. Some DC/AC converters are needed to connect AC loads. The lower the required number of power electronic interfaces, the higher the reliability and the efficiency of the microgrid.
- The reliability of a power electronic converter improves as its complexity is reduced. Therefore, the simplest power electronic interfaces provide the highest reliability, being preferred to be integrated in a microgrid.
- Quality of the energy in the microgrid: voltage and frequency deviations, voltage distortion, voltage sags, flicker and voltage disruptions can degrade the quality of the energy supplied to the consumers in a microgrid. When a microgrid is connected directly (through a static switch) to the grid, the energy quality is that of the distribution grid. If the loads require a higher power quality, it is possible to use a power electronic converter to generate the AC voltage of the microgrid, thus accurately controlling the quality of the energy.
- Easy management of the energy storage: the energy storage devices in a microgrid must be managed accordingly to a certain strategy, e.g. seeking to keep the same charge level in all the battery banks on stream. The complexity of the energy management depends on the type of power electronic interface and on the required communication links. When all devices are placed close to each other and the interfaces are DC/DC converters, the management is easier than when DC/AC interfaces are needed or when large distance communications are required.

In Table 3 it is shown a comparative analysis between the proposed architectures by using the previously defined criteria.

5. A few experimental microgrids

Some microgrids are being used in experimental facilities, providing performance data under real working conditions. An extensive review of existing microgrids can be found in [6], which is focused on the physical system and the microgrid control structure. Some of them are briefly described in the following. References for additional information have been included.

The AC microgrid architecture is the most commonly found in the experimental facilities, but some other like the AC microgrid with DC storage or the Solid State transformer based microgrid can be found. The other architectures are rarely used today, since they require deeper modifications in the facilities and the existing equipment, but it is expected than in the future they become the usual ones.

The CERTS project (USA) [25;47;49] is one of the most complete experimental projects. This microgrid is based in the AC microgrid architecture. Different types of distributed generators are connected and tested, providing both heat and power to the microgrid. Several experiments combine different generators and loads. The data obtained from those experiments is published online in the web of the CERTS consortium [83].

The BC Hydro Boston Bar (Canada) [6] uses the AC microgrid architecture without storage units, connected to the grid through a 69/25kV substation. A pair of hydro power generators feed the loads during the grid outages, during periods between 12 and 20 hours. The peak power capacity of this microgrid is 3 MW. During an islanding event the loads are connected or disconnected depending on the water level.

The UW microgrid test bed (USA) [6;84] is an AC microgrid that was implemented to research about control issues of the microgrids, specially with the integration of diesel generators in AC microgrids. The frequency droop programmed in this microgrid is around 3Hz. In islanded mode the behavior is stable, but in grid-connected mode some problems with the reactive power flow have been reported.

1 The Bronsbergen Holiday Park microgrid (Netherland) [85] is an AC microgrid consisting in 208 holiday homes. The
2 generators are 108 roof fitted photovoltaic modules, with a peak capacity of 315 kW, connected to the grid at 10 kV.
3 The microgrid is equipped with a centralized energy storage based on two battery banks.

4
5 The residential microgrid of Am Steinweg Stutensee (Germany) [86] was built for testing purposes, feeding 101
6 apartments with a peak power of 150 kW. The architecture is a four-wire three-phase AC microgrid, connected to the 20
7 kV grid. There are placed different kinds of generators: Combined Heat and Power (CHP) (28 kW of electric power),
8 several photovoltaic facilities (35 kW peak) and a lead-acid battery bank of 880 Ah (100 kW peak).

9
10 The microgrid system at the National Technical University of Athens (Greece) [6] is based in the AC architecture
11 connected to a low-voltage grid. A pair of photovoltaic generators (Total power 1.2 kW) and a wind turbine (1 kW)
12 power the microgrid. The energy storage is formed by a battery bank of 4.5 kW peak, and some controllable loads are
13 used to test the behavior of this architecture.

14
15 The Hachinohe project (Japan) [88] is connected in a private distribution line. The system is composed by a gas engine
16 system (510 kW), PV systems (total power 130 kW) and small wind generators (20 kW). Four schools and other
17 installations are connected to the distribution line. It is an AC microgrid with a single feeder connected to the grid
18 through a by-pass switch.

19
20 Kythons Island microgrid (Greece) [87] delivers power to 12 houses. The generators are a photovoltaic plant of 10 kW
21 and a 5 kW diesel generator. The energy storage is formed by a 53 kWh battery bank. In this island there is no grid
22 connection, so the microgrid works all the time in islanded mode. The architecture of this microgrid is the AC microgrid
23 with DC storage.

24
25 In the University of Manchester (UK) [6] is installed the 20 kVA microgrid/flywheel energy storage laboratory
26 prototype [6]. This microgrid is based in the AC microgrid with DC storage architecture. The generator is a
27 synchronous machine moved by an induction motor. The storage is a 20 kW flywheel connected to the main feeder by
28 means of an inverter. The microgrid is connected to the low voltage grid by means of a by-pass switch.

29
30 The CEI RICERCA DER test microgrid (Italy) [87] is a research project of 800 kVA, based on a Solid State
31 Transformer architecture, with different types of generators (photovoltaic, solar thermal, CHP, different battery
32 technologies, flywheels...) connected to the grid by means of a Solid-State Transformer without DC bus, thus, all the
33 agents of the microgrid are connected to the same feeder, which is linked to the 23 kV grid by means of an AC/AC
34 converter and a transformer.

35 36 **6. Conclusions**

37 In this paper a review of microgrid architectures has been presented. The architectures under consideration are the AC-
38 microgrid, DC-microgrid, Hybrid AC-DC microgrid, AC-microgrid with DC storage, DC-zonal microgrid and solid
39 state transformer based microgrid.

40
41 The AC topologies connected to the grid through a static switch (AC-microgrid and AC-microgrid with DC storage) are
42 the most reliable ones, since in the grid-connected mode the consumers are connected directly to the electric grid.
43 Moreover, the existing AC facilities can be easily reconfigured to implement these microgrid architectures only with a
44 few modifications of their components, being it possible to reuse the existing AC loads.

45
46 The reliability is also affected by the number of power electronic interfaces and their complexity. The hybrid AC-DC
47 microgrid and the SST based microgrid present the simplest and lowest number of power electronic interfaces, since the
48 distributed generators, energy storage devices and loads can be connected to the AC or DC feeders, depending on their
49 characteristics and, therefore, the power electronic interface device is simple or not needed.

50
51 If a high power quality is required by the microgrid loads, the voltage of the microgrid must be generated by power
52 electronic converters. From this point of view, the preferred microgrid architectures could be AC (SST based microgrid)
53 or DC (DC-microgrid, DC-zonal microgrid). In these architectures a power electronic converter connects the grid to the
54 microgrid, minimizing the effect of the grid disturbances and providing the needed power quality level.

55
56 The management of the energy storage devices in a microgrid is an issue of great importance, since the charge level
57 must be maximized and balanced between the different devices. Sometimes, the distance between the storage devices is
58 large, becoming the communication between them a problematic issue. Moreover, in AC buses the management of the
59 energy storage devices becomes more complicated. Thus, the DC-microgrid, DC-zonal microgrid and the SST based
60

microgrid provide an easy management of the stored energy, whereas the AC-microgrid with DC-storage provides the simplest management, since the energy storage is grouped and connected to a DC bus.

Acknowledgement

This work is supported by the Spanish Ministry of Science and Innovation under grant ENE2012-37667-C02-01.

References

- [1] S. Abu-Sharkh, R. J. Arnold, J. Kohler, R. Li, T. Markvart, J. N. Ross, K. Steemers, P. Wilson, and R. Yao, "Can microgrids make a major contribution to UK energy supply?," *Renewable and Sustainable Energy Reviews*, vol. 10, no. 2, pp. 78-127, Apr.2006.
- [2] E. R. Sanseverino, M. L. Di Silvestre, M. G. Ippolito, A. De Paola, and G. Lo Re, "An execution, monitoring and replanning approach for optimal energy management in microgrids," *Energy*, vol. 36, no. 5, pp. 3429-3436, May2011.
- [3] A. Chaurey and T. C. Kandpal, "A techno-economic comparison of rural electrification based on solar home systems and PV microgrids," *Energy Policy*, vol. 38, no. 6, pp. 3118-3129, June2010.
- [4] Li, C., Cao, C., Cao, Y., Kuang, Y., Zeng, L., & Fang, B. (2014). A review of islanding detection methods for microgrid. *Renewable and Sustainable Energy Reviews*, 35, 211-220.
- [5] Gopalan, S. A., Sreeram, V., & Iu, H. H. (2014). A review of coordination strategies and protection schemes for microgrids. *Renewable and Sustainable Energy Reviews*, 32, 222-228.
- [6] N. W. A. Lidula and A. D. Rajapakse, "Microgrids research: A review of experimental microgrids and test systems," *Renewable and Sustainable Energy Reviews*, vol. 15, no. 1, pp. 186-202, Jan.2011.
- [7] R. Bhoyar and S. Bharatkar, "Potential of MicroSources, Renewable Energy sources and Application of Microgrids in Rural areas of Maharashtra State India," *Energy Procedia*, vol. 14, no. 0, pp. 2012-2018, 2012.
- [8] A. Etxeberria, I. Vechiu, H. Camblong, and J. M. Vinassa, "Comparison of three topologies and controls of a hybrid energy storage system for microgrids," *Energy Conversion and Management*, vol. 54, no. 1, pp. 113-121, Feb.2012.
- [9] P. M. s. Costa and M. A. Matos, "Assessing the contribution of microgrids to the reliability of distribution networks," *Electric Power Systems Research*, vol. 79, no. 2, pp. 382-389, Feb.2009.
- [10] A. K. Basu, S. P. Chowdhury, S. Chowdhury, and S. Paul, "Microgrids: Energy management by strategic deployment of DERs-A comprehensive survey," *Renewable and Sustainable Energy Reviews*, vol. 15, no. 9, pp. 4348-4356, Dec.2011.
- [11] T. S. Ustun, C. Ozansoy, and A. Zayegh, "Recent developments in microgrids and example cases around the world:A review," *Renewable and Sustainable Energy Reviews*, vol. 15, no. 8, pp. 4030-4041, Oct.2011.
- [12] J. J. Justo, F. Mwasilu, J. Lee, and J. W. Jung, "AC-microgrids versus DC-microgrids with distributed energy resources: A review," *Renewable and Sustainable Energy Reviews*, vol. 24, no. 0, pp. 387-405, Aug.2013.
- [13] P. P. Varaiya, F. F. Wu, and J. W. Bialek, "Smart Operation of Smart Grid: Risk-Limiting Dispatch," *Proceedings of the IEEE*, vol. 99, no. 1, pp. 40-57, Jan.2011.
- [14] R. Zamora and A. K. Srivastava, "Controls for microgrids with storage: Review, challenges, and research needs," *Renewable and Sustainable Energy Reviews*, vol. 14, no. 7, pp. 2009-2018, Sept.2010.
- [15] Zhou, K., Yang, S., Chen, Z., & Ding, S. (2014). Optimal load distribution model of microgrid in the smart grid environment. *Renewable and Sustainable Energy Reviews*, 35, 304-310.
- [16] P. Dondi, D. Bayoumi, C. Haederli, D. Julian, and M. Suter, "Network integration of distributed power generation," *Journal of Power Sources*, vol. 106, no. 1-2, pp. 1-9, Apr.2002.
- [17] "IEEE Standard for Interconnecting Distributed Resources With Electric Power Systems," *IEEE Std 1547-2003*, pp. 0-16, 2003.
- [18] H. Jiayi, J. Chuanwen, and X. Rong, "A review on distributed energy resources and MicroGrid," *Renewable and Sustainable Energy Reviews*, vol. 12, no. 9, pp. 2472-2483, Dec.2008.
- [19] M. Rashidinejad, M. Shojaei, M. Afkousi-Paqaleh, and A. Sotudehnia, "Optimal deployment of combined heat and power in residential dwellings in Iran," *Integration of Renewables into the Distribution Grid, CIRED 2012 Workshop*, pp. 1-4, May2012.
- [20] C. M. Colson and M. H. Nehrir, "A review of challenges to real-time power management of microgrids," *Power & Energy Society General Meeting, 2009. PES '09. IEEE*, pp. 1-8, July2009.
- [21] Y. Shi, F. Marra, and C. Traeholt, "Integration of Fuel Cell Micro-CHPS on Low Voltage Grid: A Danish Case Study," *Power and Energy Engineering Conference (APPEEC), 2012 Asia-Pacific*, pp. 1-4, Mar.2012.
- [22] W. Colella, "Design options for achieving a rapidly variable heat-to-power ratio in a combined heat and power (CHP) fuel cell system (FCS)," *Journal of Power Sources*, vol. 106, no. 1-2, pp. 388-396, Apr.2002.
- [23] Y. Zoka, H. Sasaki, N. Yorino, K. Kawahara, and C. C. Liu, "An interaction problem of distributed generators installed in a MicroGrid," *Electric Utility Deregulation, Restructuring and Power Technologies, 2004. (DRPT 2004). Proceedings of the 2004 IEEE International Conference on*, vol. 2, pp. 795-799, Apr.2004.

- [24] N. K. Nair and L. Zhang, "SmartGrid: Future networks for New Zealand power systems incorporating distributed generation," *Energy Policy*, vol. 37, no. 9, pp. 3418-3427, Sept.2009.
- [25] Consultant Report: Integration of Distributed Energy Resources. The CERTS MicroGrid Concept. California Energy Commission. October 2013
- [26] A. Chintavee and N. Ketjoy, "PV Generator Performance Evaluation and Load Analysis of the PV Microgrid System in Thailand," *Procedia Engineering*, vol. 32, no. 0, pp. 384-391, 2012.
- [27] J. Wang, X. Li, H. Yang, and S. Kong, "Design and Realization of Microgrid Composing of Photovoltaic and Energy Storage System," *Energy Procedia*, vol. 12, no. 0, pp. 1008-1014, 2011.
- [28] J. Schonberger, R. Duke, and S. D. Round, "DC-Bus Signaling: A Distributed Control Strategy for a Hybrid Renewable Nanogrid," *Industrial Electronics, IEEE Transactions on*, vol. 53, no. 5, pp. 1453-1460, Oct.2006.
- [29] K. Xian-guo, L. Zong-qi, and Z. Jian-hua, "New Power Management Strategies for a Microgrid with Energy Storage Systems," *Energy Procedia*, vol. 16, Part C, no. 0, pp. 1678-1684, 2012.
- [30] J. M. Crider and S. D. Sudhoff, "Reducing Impact of Pulsed Power Loads on Microgrid Power Systems," *Smart Grid, IEEE Transactions on*, vol. 1, no. 3, pp. 270-277, Dec.2010.
- [31] X. Tan, Q. Li, and H. Wang, "Advances and trends of energy storage technology in Microgrid," *International Journal of Electrical Power & Energy Systems*, vol. 44, no. 1, pp. 179-191, Jan.2013.
- [32] DC Energy Storage in the CERTS Microgrid. John Stevens and Benjamin Schenkman
- [33] Effect of Heat and Electricity Storage and Reliability on Microgrid Viability: A Study of Commercial Buildings in California and New York States. Michael Stadler, Chris Marnay, Afzal Siddiqui, Judy Lai, Brian Coffey, and Hirohisa Aki. Environmental Energy Technologies Division. March 2009. Ernest Orlando Lawrence Berkeley National Laboratory
- [34] Tani, A; Camara, M.B.; Dakyo, B., "Energy management in the decentralized generation systems based on renewable energy sources," *Renewable Energy Research and Applications (ICRERA), 2012 International Conference on*, vol., no., pp.1,6, 11-14 Nov. 2012
- [35] Lin Shen; Chang Liu; Qiongni Li; Gengyin Li, "Operational characteristics of SMES and its effects on microgrids," *Sustainable Power Generation and Supply (SUPERGEN 2012), International Conference on*, vol., no., pp.1,6, 8-9 Sept. 2012
- [36] A. Mohd, E. Ortjohann, A. Schmelter, N. Hamsic, and D. Morton, "Challenges in integrating distributed Energy storage systems into future smart grid," *Industrial Electronics, 2008. ISIE 2008. IEEE International Symposium on*, pp. 1627-1632, June2008.
- [37] A. Banerji, S. K. Biswas, and B. Singh, "Enhancing quality of power to sensitive loads with MicroGrid," *Power Electronics, Drives and Energy Systems (PEDES) & 2010 Power India, 2010 Joint International Conference on*, pp. 1-7, Dec.2010.
- [38] J. Driesen and F. Katiraei, "Design for distributed energy resources," *Power and Energy Magazine, IEEE*, vol. 6, no. 3, pp. 30-40, May2008.
- [39] X. Jianxin, T. Sicong, and S. K. Panda, "Optimization of economic load dispatch for a microgrid using evolutionary computation," *IECON 2011 - 37th Annual Conference on IEEE Industrial Electronics Society*, pp. 3192-3197, Nov.2011.
- [40] A. K. Basu, S. Chowdhury, and S. P. Chowdhury, "Role of switching devices on microgrid reliability," *Universities Power Engineering Conference (UPEC), 2010 45th International*, pp. 1-5, Aug.2010.
- [41] M. Meiqin, T. Yinzheng, C. Liuchen, Z. Yongchao, and J. Peng, "An intelligent static switch based on embedded system and its control method for a microgrid," *Innovative Smart Grid Technologies - Asia (ISGT Asia), 2012 IEEE*, pp. 1-6, May2012.
- [42] D. Zhao, N. Zhang, and Y. Liu, "Micro-grid connected/islanding operation based on wind and PV hybrid power system," *Innovative Smart Grid Technologies - Asia (ISGT Asia), 2012 IEEE*, pp. 1-6, May2012.
- [43] B. Kroposki, C. Pink, J. Lynch, V. John, S. M. Daniel, E. Benedict, and I. Vihinen, "Development of a High-Speed Static Switch for Distributed Energy and Microgrid Applications," *Power Conversion Conference - Nagoya, 2007. PCC '07*, pp. 1418-1423, Apr.2007.
- [44] W. Xiongfei, J. M. Guerrero, and C. Zhe, "Control of grid interactive AC microgrids," *Industrial Electronics (ISIE), 2010 IEEE International Symposium on*, pp. 2211-2216, July2010.
- [45] D. Klapp and H. T. Vollkommer, "Application of an Intelligent Static Switch to the Point of Common Coupling to Satisfy IEEE 1547 Compliance," *Power Engineering Society General Meeting, 2007. IEEE*, pp. 1-4, June2007.
- [46] Alegria, E.; Brown, T.; Minear, E.; Lasseter, R.H., "CERTS Microgrid Demonstration With Large-Scale Energy Storage and Renewable Generation," *Smart Grid, IEEE Transactions on*, vol.5, no.2, pp.937,943, March 2014
- [47] J. Eto, R. Lasseter, B. Schenkman, J. Stevens, D. Klapp, H. Vollkommer, E. Linton, H. Hurtado, and J. Roy, "Overview of the CERTS Microgrid laboratory Test Bed," *Integration of Wide-Scale Renewable Resources Into the Power Delivery System, 2009 CIGRE/IEEE PES Joint Symposium*, p. 1, July2009.
- [48] R. H. Lasseter, "Certs Microgrid," *System of Systems Engineering, 2007. SoSE '07. IEEE International Conference on*, pp. 1-5, Apr.2007.

- [49] R. H. Lasseter, J. H. Eto, B. Schenkman, J. Stevens, H. Vollkommer, D. Klapp, E. Linton, H. Hurtado, and J. Roy, "CERTS Microgrid Laboratory Test Bed," *Power Delivery, IEEE Transactions on*, vol. 26, no. 1, pp. 325-332, Jan.2011.
- [50] A. Das and V. Balakrishnan, "Sustainable energy future via grid interactive operation of spv system at isolated remote island," *Renewable and Sustainable Energy Reviews*, vol. 16, no. 7, pp. 5430-5442, Sept.2012.
- [51] P. Basak, S. Chowdhury, S. Halder nee Dey, and S. P. Chowdhury, "A literature review on integration of distributed energy resources in the perspective of control, protection and stability of microgrid," *Renewable and Sustainable Energy Reviews*, vol. 16, no. 8, pp. 5545-5556, Oct.2012.
- [52] F. Katiraei, M. R. Iravani, and P. W. Lehn, "Micro-grid autonomous operation during and subsequent to islanding process," *Power Delivery, IEEE Transactions on*, vol. 20, no. 1, pp. 248-257, Jan.2005.
- [53] J. M. Guerrero, J. C. Vasquez, J. Matas, V. de, and M. Castilla, "Hierarchical Control of Droop-Controlled AC and DC Microgrids:A General Approach Toward Standardization," *Industrial Electronics, IEEE Transactions on*, vol. 58, no. 1, pp. 158-172, Jan.2011.
- [54] J. Rocabert, A. Luna, F. Blaabjerg, and P. guez, "Control of Power Converters in AC Microgrids," *Power Electronics, IEEE Transactions on*, vol. 27, no. 11, pp. 4734-4749, Nov.2012.
- [55] T. L. Vandoorn, J. D. M. De Kooning, B. Meersman, and L. Vandevelde, "Review of primary control strategies for islanded microgrids with power-electronic interfaces," *Renewable and Sustainable Energy Reviews*, vol. 19, no. 0, pp. 613-628, Mar.2013.
- [56] X. Zhao-xia and F. Hong-wei, "Impacts of P-f & Q-V Droop Control on MicroGrids Transient Stability," *Physics Procedia*, vol. 24, Part A, no. 0, pp. 276-282, 2012.
- [57] Y. Xiaoxiao, A. M. Khambadkone, W. Huanhuan, and S. Terence, "Control of Parallel-Connected Power Converters for Low-Voltage Microgrid;Part I: A Hybrid Control Architecture," *Power Electronics, IEEE Transactions on*, vol. 25, no. 12, pp. 2962-2970, Dec.2010.
- [58] E. a. Planas, A. Gil-de-Muro, J. Andreu, I. Kortabarria, and I. +. Martínez de Alegria, "General aspects, hierarchical controls and droop methods in microgrids: A review," *Renewable and Sustainable Energy Reviews*, vol. 17, no. 0, pp. 147-159, Jan.2013.
- [59] S. Obara, S. Watanabe, and B. Rengarajan, "Operation method study based on the energy balance of an independent microgrid using solar-powered water electrolyzer and an electric heat pump," *Energy*, vol. 36, no. 8, pp. 5200-5213, Aug.2011.
- [60] Y. H. Chen, S. Y. Lu, Y. R. Chang, T. T. Lee, and M. C. Hu, "Economic analysis and optimal energy management models for microgrid systems: A case study in Taiwan," *Applied Energy*.
- [61] S. Obara and S. Watanabe, "Optimization of equipment capacity and an operational method based on cost analysis of a fuel cell microgrid," *International Journal of Hydrogen Energy*, vol. 37, no. 9, pp. 7814-7830, May2012.
- [62] W. Huang, M. Lu, and L. Zhang, "Survey on Microgrid Control Strategies," *Energy Procedia*, vol. 12, no. 0, pp. 206-212, 2011.
- [63] J. M. Guerrero, J. C. Vasquez, J. Matas, M. Castilla, and L. G. De Vicuna, "Control Strategy for Flexible Microgrid Based on Parallel Line-Interactive UPS Systems," *Industrial Electronics, IEEE Transactions on*, vol. 56, no. 3, pp. 726-736, Mar.2009.
- [64] A. L. Dimeas and N. D. Hatzargyriou, "Operation of a Multiagent System for Microgrid Control," *Power Systems, IEEE Transactions on*, vol. 20, no. 3, pp. 1447-1455, Aug.2005.
- [65] P. O. Kriett and M. Salani, "Optimal control of a residential microgrid," *Energy*, vol. 42, no. 1, pp. 321-330, June2012.
- [66] Harb, S.; Balog, R.S., "Reliability of Candidate Photovoltaic Module-Integrated-Inverter (PV-MII) Topologies—A Usage Model Approach," *Power Electronics, IEEE Transactions on*, vol.28, no.6, pp.3019,3027, June 2013
- [67] S. Xu, A. Q. Huang, S. Lukic, and M. E. Baran, "On Integration of Solid-State Transformer With Zonal DC Microgrid," *Smart Grid, IEEE Transactions on*, vol. 3, no. 2, pp. 975-985, June2012.
- [68] T. F. Wu, C. L. Kuo, K. H. Sun, and Y. C. Chang, "Dc-bus voltage regulation and power compensation with bi-directional inverter in dc-microgrid applications," *Energy Conversion Congress and Exposition (ECCE), 2011 IEEE*, pp. 4161-4168, Sept.2011.
- [69] H. Kakigano, Y. Miura, T. Ise, T. Momose, and H. Hayakawa, "Fundamental characteristics of DC microgrid for residential houses with cogeneration system in each house," *Power and Energy Society General Meeting - Conversion and Delivery of Electrical Energy in the 21st Century, 2008 IEEE*, pp. 1-8, July2008.
- [70] H. Kakigano, Y. Miura, and T. Ise, "Low-Voltage Bipolar-Type DC Microgrid for Super High Quality Distribution," *Power Electronics, IEEE Transactions on*, vol. 25, no. 12, pp. 3066-3075, Dec.2010.
- [71] Z. Li, W. Tianjin, X. Yan, S. Kai, and J. M. Gurrero, "Power control of DC microgrid using DC bus signaling," *Applied Power Electronics Conference and Exposition (APEC), 2011 Twenty-Sixth Annual IEEE*, pp. 1926-1932, Mar.2011.
- [72] D. Salomonsson, L. Soder, and A. Sannino, "An Adaptive Control System for a DC Microgrid for Data Centers," *Industry Applications, IEEE Transactions on*, vol. 44, no. 6, pp. 1910-1917, Nov.2008.

- [73] X. Lie and C. Dong, "Control and Operation of a DC Microgrid With Variable Generation and Energy Storage," *Power Delivery, IEEE Transactions on*, vol. 26, no. 4, pp. 2513-2522, Oct.2011.
- [74] H. Kakigano, A. Nishino, Y. Miura, and T. Ise, "Distribution voltage control for DC microgrid by converters of energy storages considering the stored energy," *Energy Conversion Congress and Exposition (ECCE), 2010 IEEE*, pp. 2851-2856, Sept.2010.
- [75] Venkataramanan, G., "Evaluation of inverter topology options for low inductance motors," *Industry Applications Society Annual Meeting, 1993.*, Conference Record of the 1993 IEEE , vol., no., pp.1041,1047 vol.2, 2-8 Oct 1993
- [76] C. L. Poh, L. Ding, K. C. Yi, and F. Blaabjerg, "Autonomous operation of hybrid AC-DC microgrids with progressive energy flow tuning," *Applied Power Electronics Conference and Exposition (APEC), 2012 Twenty-Seventh Annual IEEE*, pp. 1056-1060, Feb.2012.
- [77] C. L. Poh and F. Blaabjerg, "Autonomous operation of hybrid microgrid with AC and DC sub-grids," *Power Electronics and Applications (EPE 2011), Proceedings of the 2011-14th European Conference on*, pp. 1-10, Aug.2011.
- [78] L. Xiong, W. Peng, and C. L. Poh, "A Hybrid AC/DC Microgrid and Its Coordination Control," *Smart Grid, IEEE Transactions on*, vol. 2, no. 2, pp. 278-286, June2011.
- [79] L. Petrucci, C. Boccaletti, B. Francois, and P. Di Felice, "Hybrid trigeneration system management with a double DC-bus configuration on the electrical side," *Advanced Electromechanical Motion Systems & Electric Drives Joint Symposium, 2009. ELECTROMOTION 2009. 8th International Symposium on*, pp. 1-6, July2009.
- [80] S. Xu, S. Lukic, and A. Q. Huang, "DC zonal micro-grid architecture and control," *IECON 2010 - 36th Annual Conference on IEEE Industrial Electronics Society*, pp. 2988-2993, Nov.2010.
- [81] S. Jianjiang, G. Wei, Y. Hao, Z. Tiefu, and A. Q. Huang, "Research on Voltage and Power Balance Control for Cascaded Modular Solid-State Transformer," *Power Electronics, IEEE Transactions on*, vol. 26, no. 4, pp. 1154-1166, Apr.2011.
- [82] S. Xu, S. Lukic, A. Q. Huang, S. Bhattacharya, and M. Baran, "Performance evaluation of solid state transformer based microgrid in FREEDM systems," *Applied Power Electronics Conference and Exposition (APEC), 2011 Twenty-Sixth Annual IEEE*, pp. 182-188, Mar.2011.
- [83] <http://certs.lbl.gov/>
- [84] Krishnamurthy S, Jahns TM, Lasseter RH. The operation of diesel gensets in a CERTS microgrid. In: *IEEE PES general meeting—conversion and delivery of electrical energy in the 21st century*. 2008. p. 1–8.
- [85] Loix, T, Leuven, KU. The first micro grid in the Netherlands: Bronsbergen. Available online on February 2009. http://www.leonardo-energy.org/webfm_send/493.
- [86] Bossi C, Degner T, Tselepis S. Distributed generation with high penetration of renewable energy sources, Chapter 3: laboratory tests case studies and field experience. Kessel, Germany: Dispower; 2006, Final public report—ENK-CT-2001-00522.
- [87] Mitra I, Degner T, Braun M. Distributed generation and microgrids for small island electrification in developing countries: a review. *SESI Journal* 2008;18(1):6–20.
- [88] Morozumi S, Nakama H, Inoue N. Demonstration projects for grid-connection issues in Japan. *Elektrotechnik & Informationstechnik* 2008;125(12):426–31.

Figure 1
[Click here to download high resolution image](#)

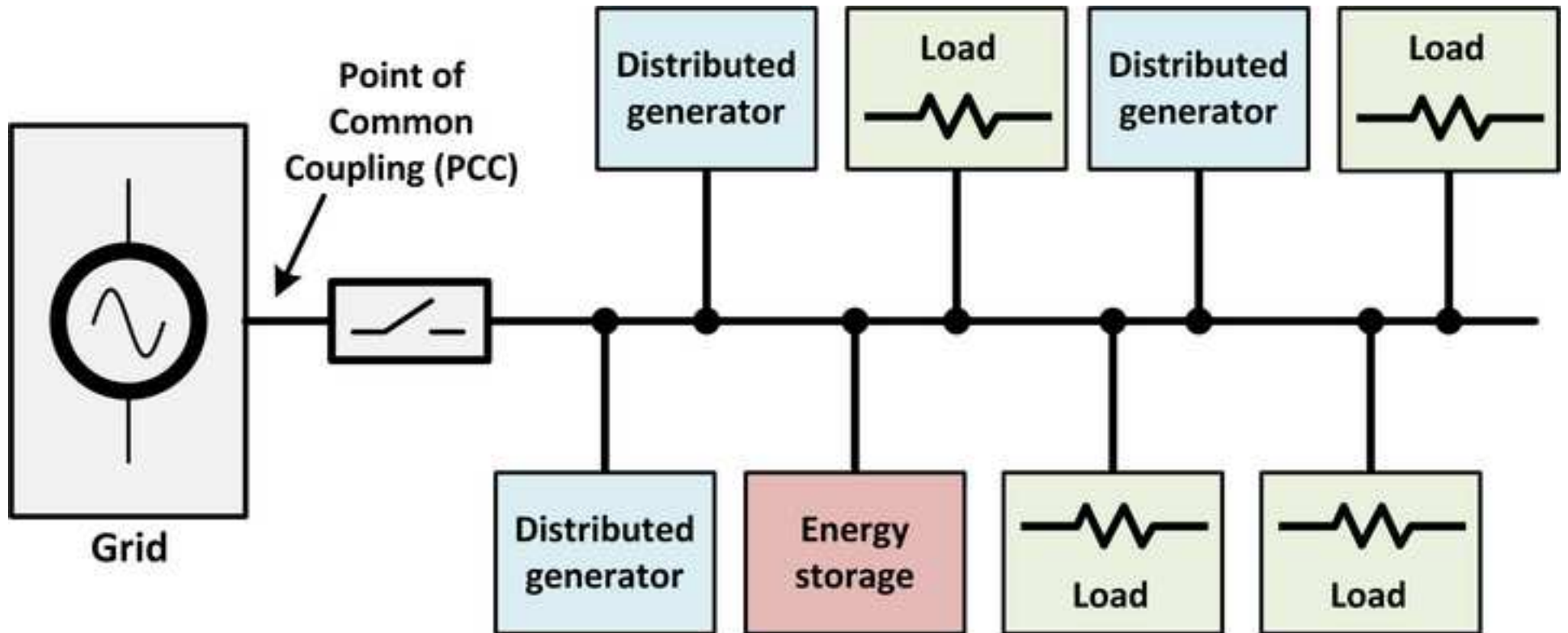


Figure 2
[Click here to download high resolution image](#)

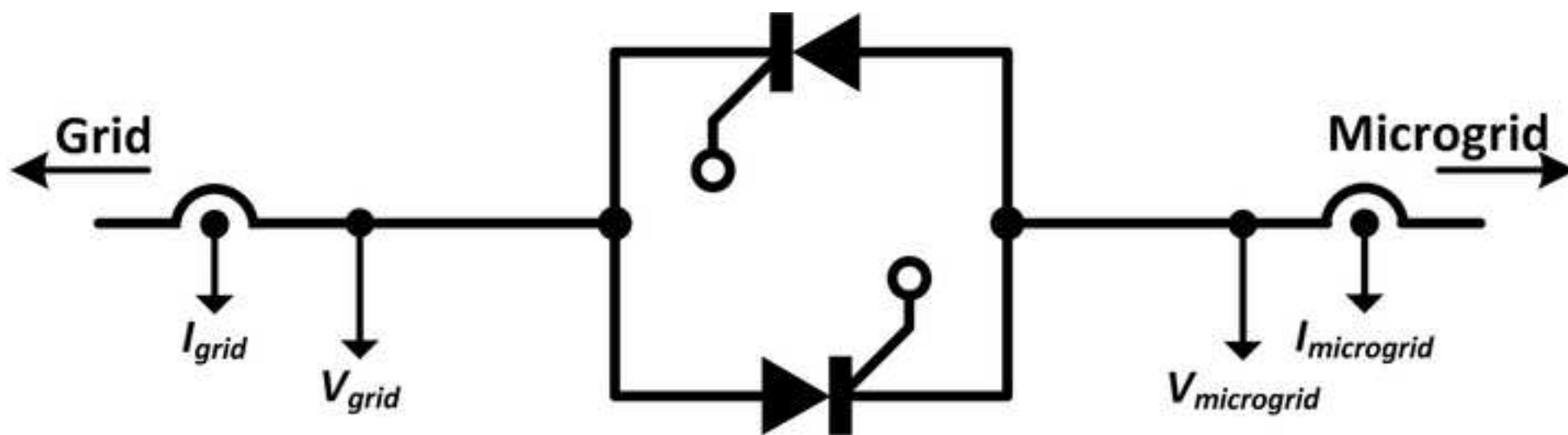


Figure 3
[Click here to download high resolution image](#)

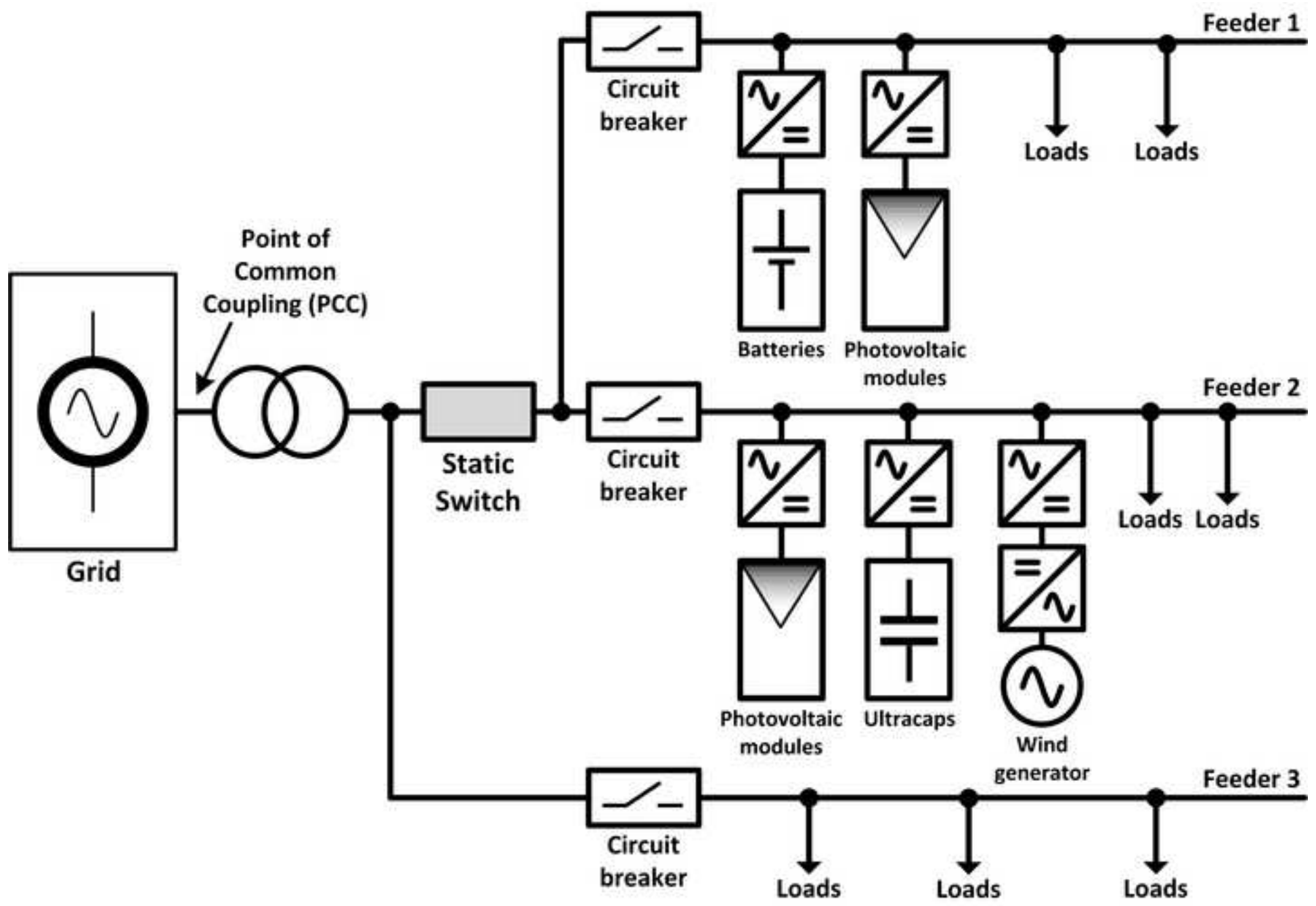


Figure 4
[Click here to download high resolution image](#)

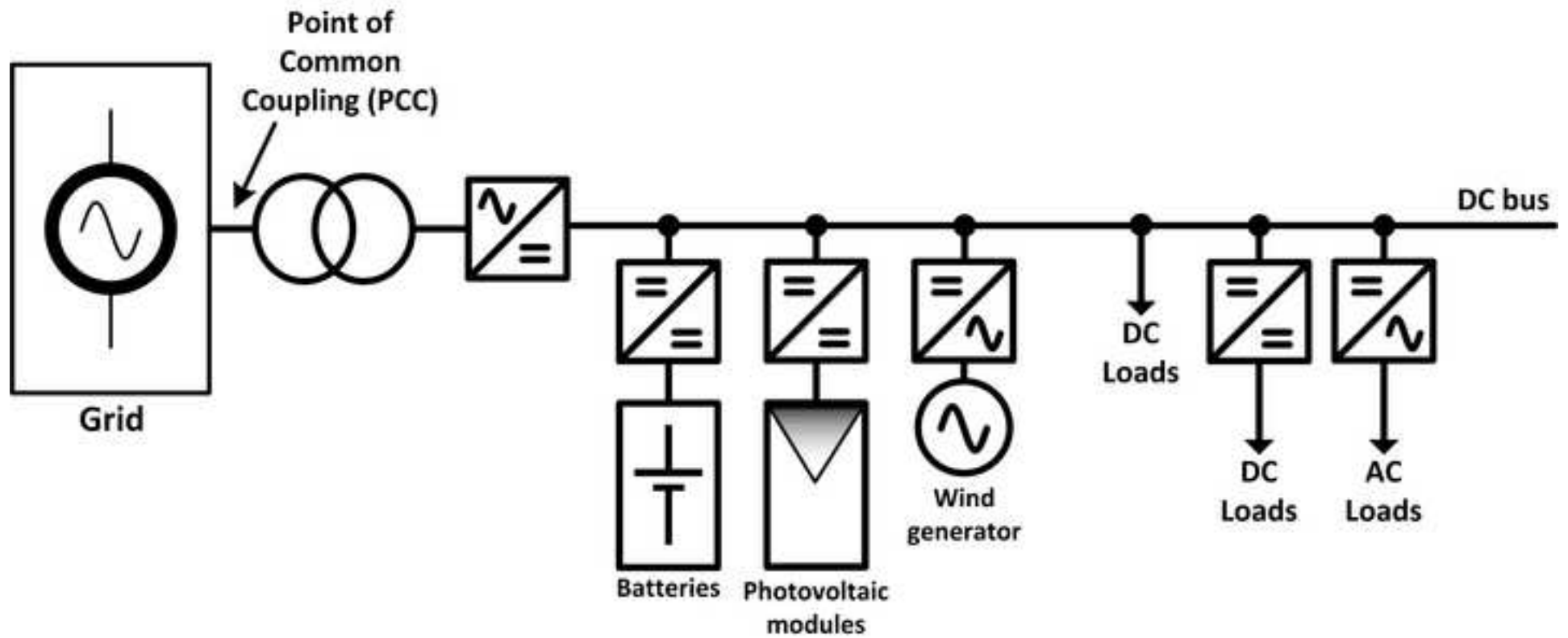


Figure 5
[Click here to download high resolution image](#)

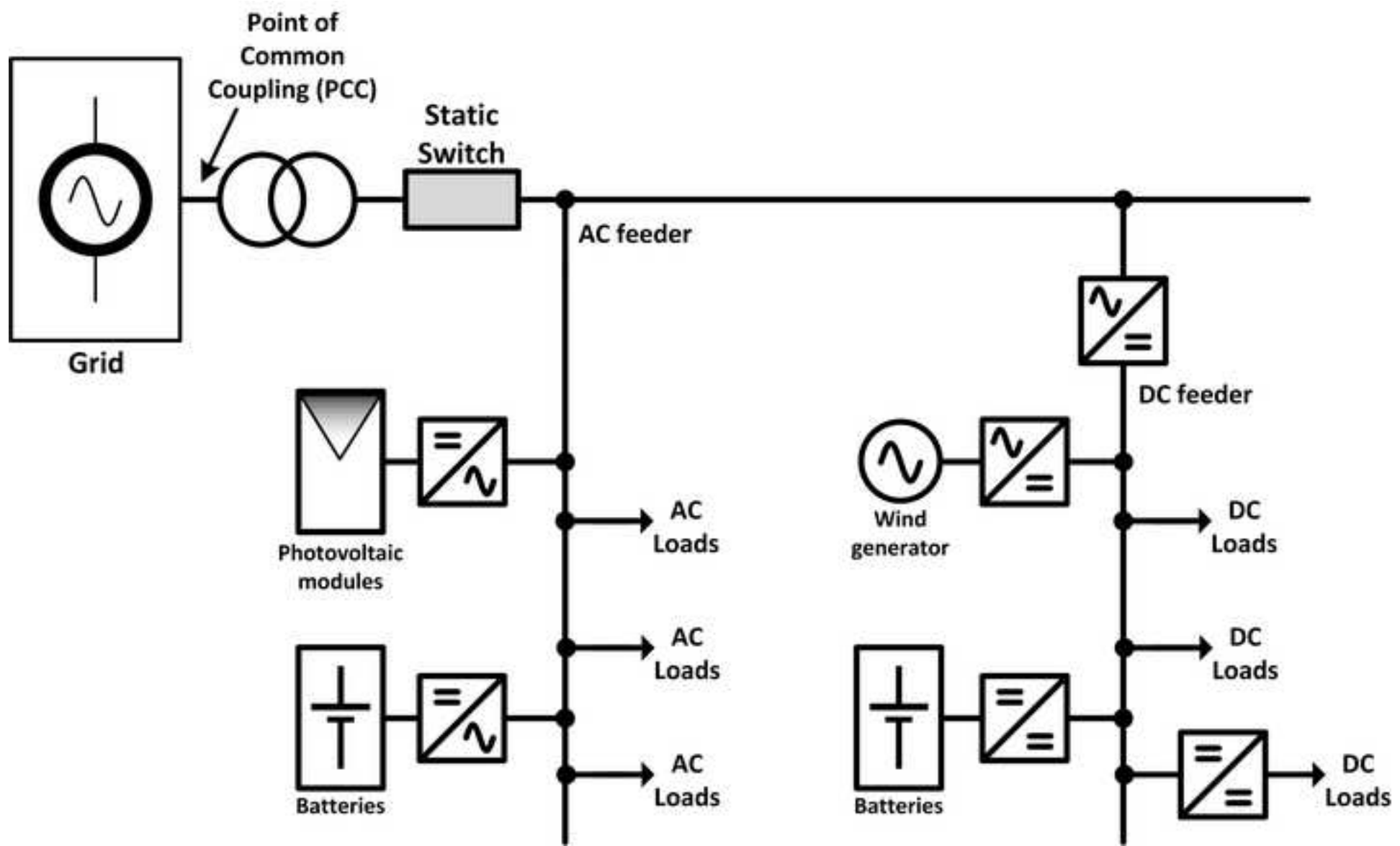


Figure 6
[Click here to download high resolution image](#)

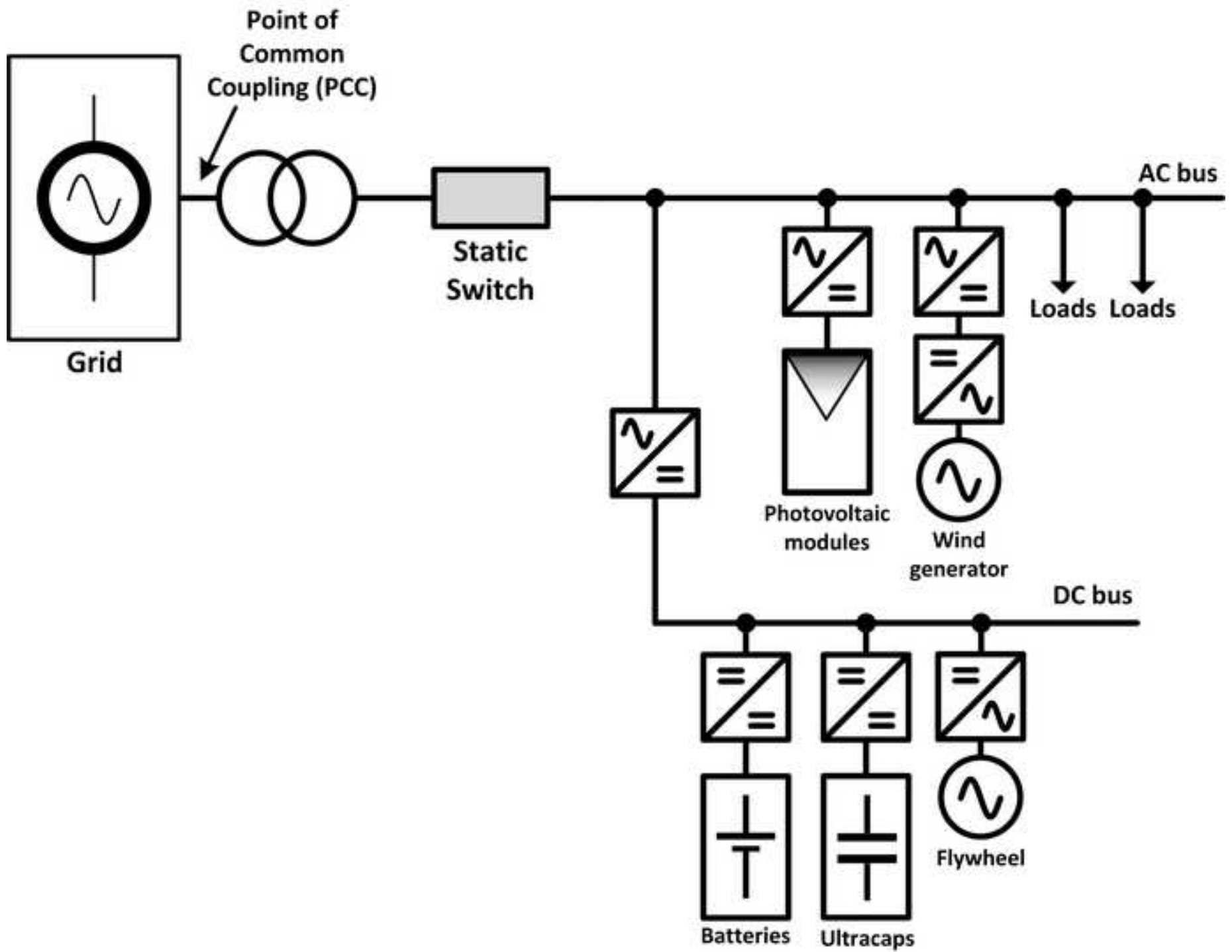


Figure 7
[Click here to download high resolution image](#)

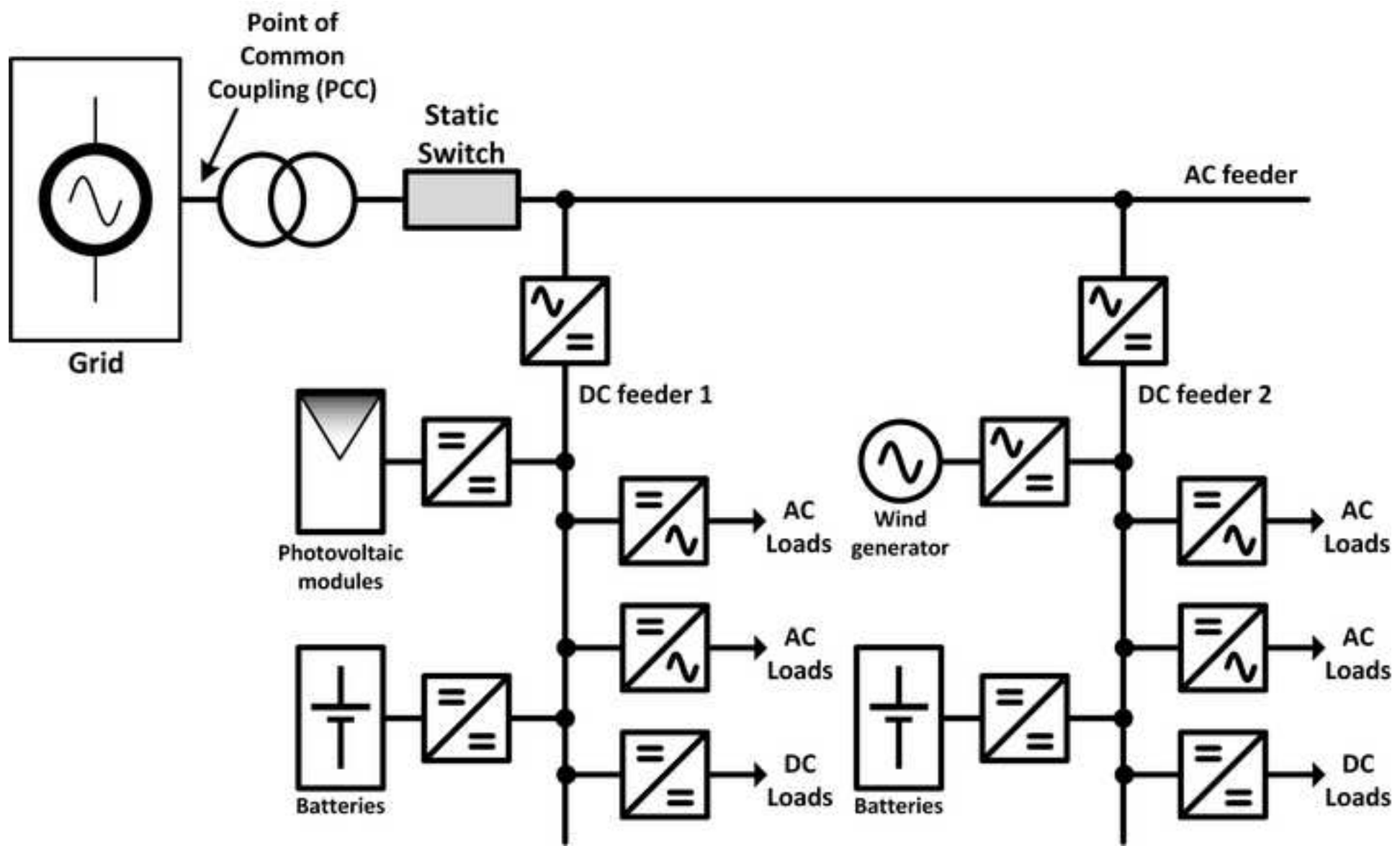


Figure 8
[Click here to download high resolution image](#)

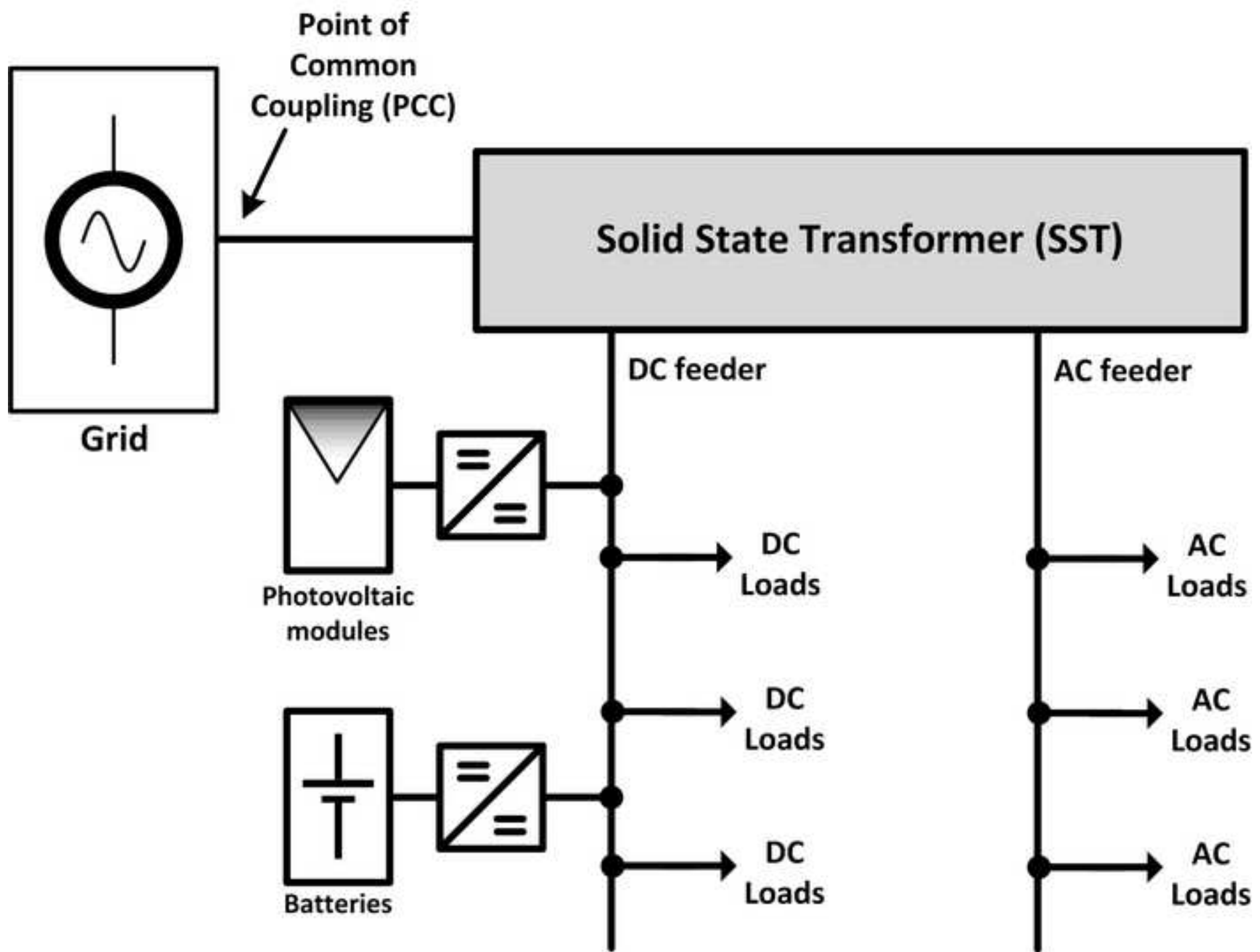


Figure 9
[Click here to download high resolution image](#)

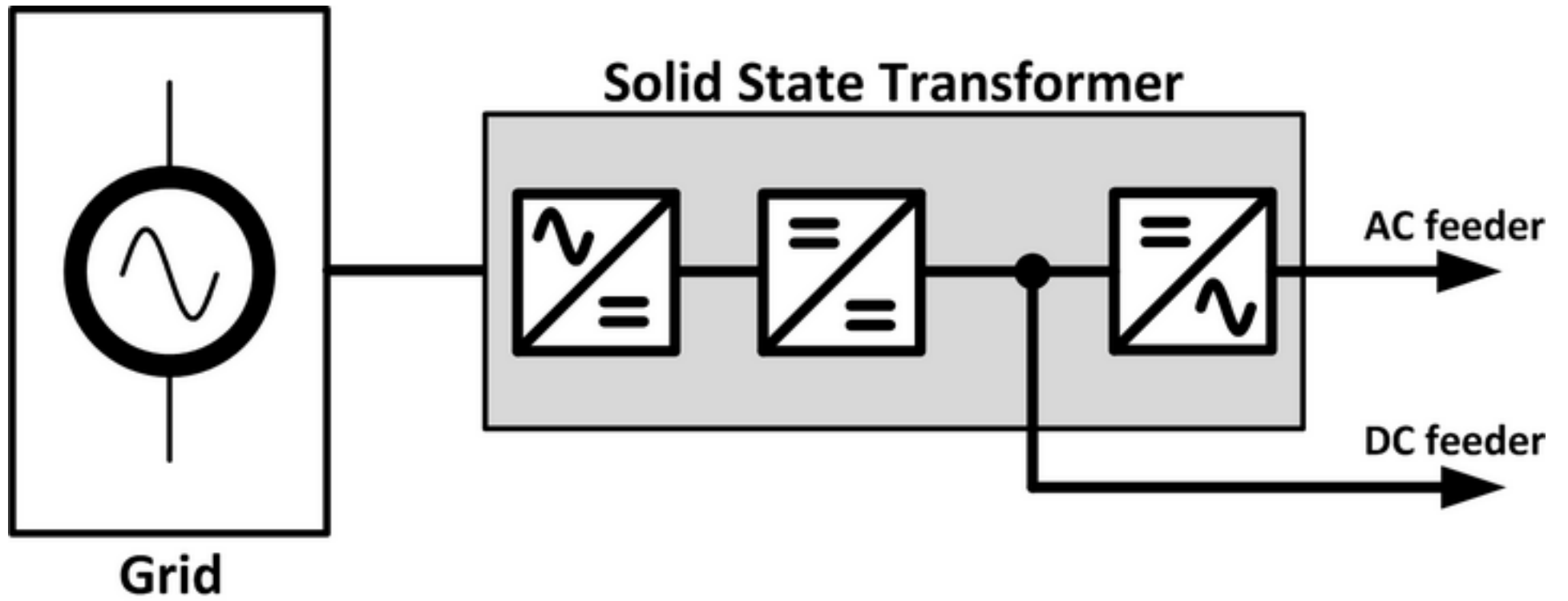


Table 1

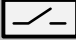










Symbol	Description
	Circuit breaker
	Thyristor
	Current sensor
	Transformer
	AC/DC converter (rectifier)
	DC/DC converter
	DC/AC converter (inverter)
	Photovoltaic module
	Batteries
	Capacitor
	Electrical grid

Table 2

	Power (kW)	Cost (\$/kW)	Operation & Maintenance cost	Lifetime (years)
Diesel backup generator	5-500	700	26.5 \$/kW/year + 0.000033 \$/kWh	12.5
Gas backup generators	50-500	950	26.5 \$/kW/year + 0.000033 \$/kWh	12.5
Wind generators	10	6055	5.7 \$/kW/year	12.5
Small photovoltaic generator	5	8650	14.3 \$/kW/year	20
Big photovoltaic generator	50-500	6675	3.93 \$/kW/year	20
Fuel cells	1-2000	5000	0.035 \$/kWh	5-10

Table 3

	AC microgrid	DC microgrid	Hybrid AC-DC microgrid	AC microgrid with DC storage	DC-zonal microgrid	SST based microgrid
Series connected power converters	No	Yes	No	No	Yes	Yes
Grid-compliant devices	Yes	No	Yes	Yes	No	Yes
Possibility of reconfiguration of existing facilities	Yes	No	With a few modifications	Yes	No	With a few modifications
Required number of power electronic interfaces	High	Medium	Very low	Low	Medium	Very low
Complexity of the required power electronic interfaces	Complex	Simple	Simple	Simple	Simple	Simple
Quality of the energy in the microgrid	Low	High	Medium	Low	High	Very high
Easy management of the energy storage	No	Yes	No	Yes	Yes	Yes

Captions

Figure 1. Simplified scheme of a microgrid

Figure 2. Triac based static switch

Figure 3. AC microgrid architecture

Figure 4. DC microgrid architecture

Figure 5. Hybrid AC-DC microgrid architecture

Figure 6. AC microgrid with DC storage architecture

Figure 7. DC-zonal microgrid architecture

Figure 8. Solid State Transformer based microgrid architecture

Figure 9. Solid State Transformer

Table 1. Symbols used in the figures

Table 2. Installation and operation cost of different types of distributed generators

Table 3. A performance comparison of the described microgrid architectures