

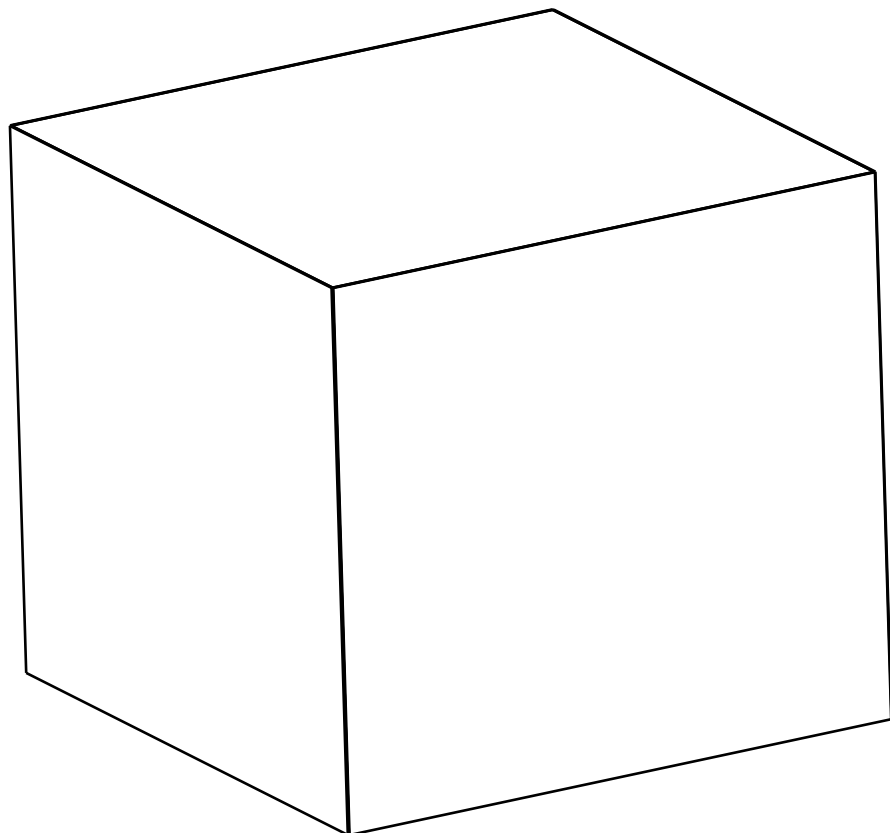
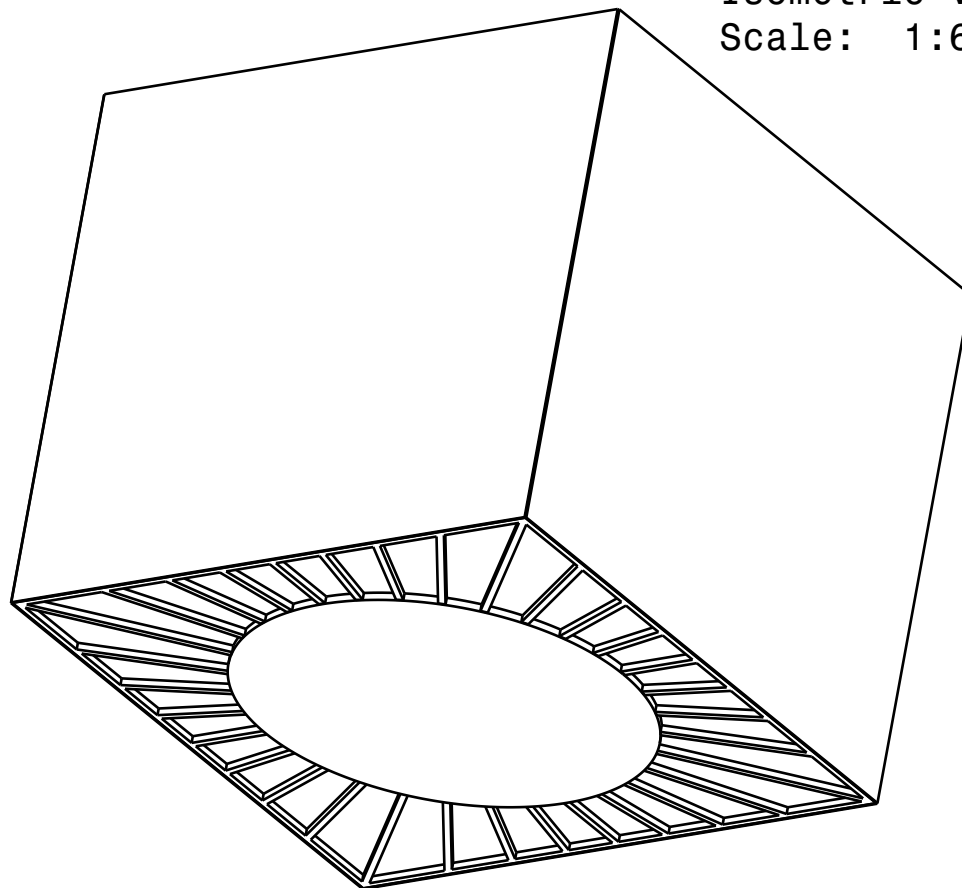
D

C

B

A

Isometric view
Scale: 1:6



Isometric view
Scale: 1:6

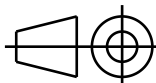
DESIGNED BY:
Alejandro Pila
Sergio Fraile

CHECKED BY:
Andrés Rovira

DATE:
22/11/2014

Microsatellite

SIZE
A4



Universitat Politècnica de València

SCALE
1:6

WEIGHT (kg)
50

DRAWING NUMBER
001-0001

SHEET
1/8

I	-
H	-
G	-
F	-
E	-
D	-
C	-
B	-
A	-

This drawing is our property; it can't be reproduced or communicated without our written agreement.

D

A

4

3

2

1

4

3

2

1

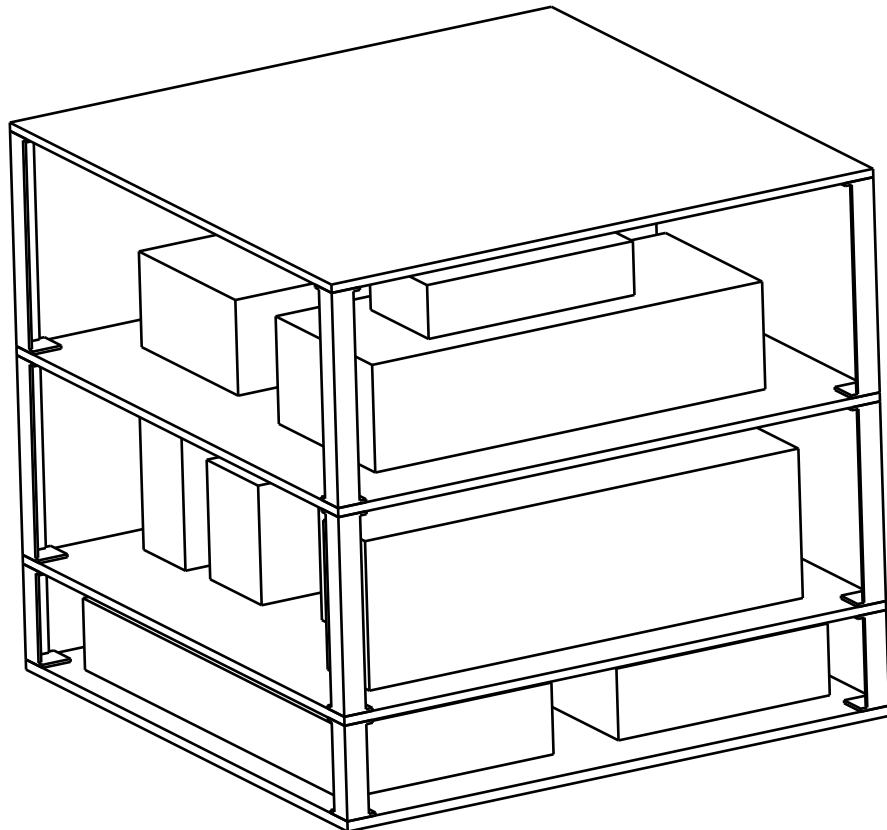
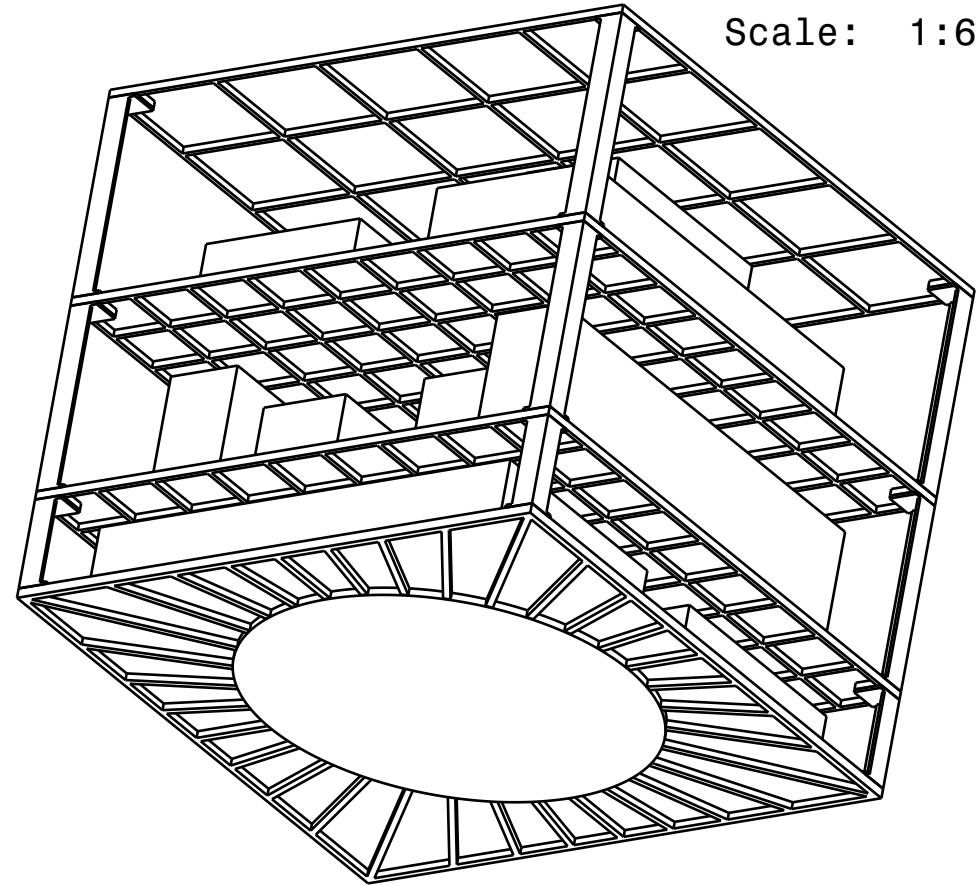
D

C

B

A

Isometric view
Scale: 1:6



Isometric view
Scale: 1:6

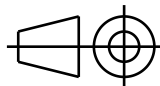
DESIGNED BY:
Alejandro Pila
Sergio Fraile

CHECKED BY:
Andrés Rovira

DATE:
22/11/2014

Microsatellite

SIZE
A4



Universitat Politècnica de València

SCALE
1:6

WEIGHT (kg)
50

DRAWING NUMBER
001-0002

SHEET
2/8

I	-
H	-
G	-
F	-
E	-
D	-
C	-
B	-
A	-

This drawing is our property; it can't be reproduced or communicated without our written agreement.

D

A

4

3

2

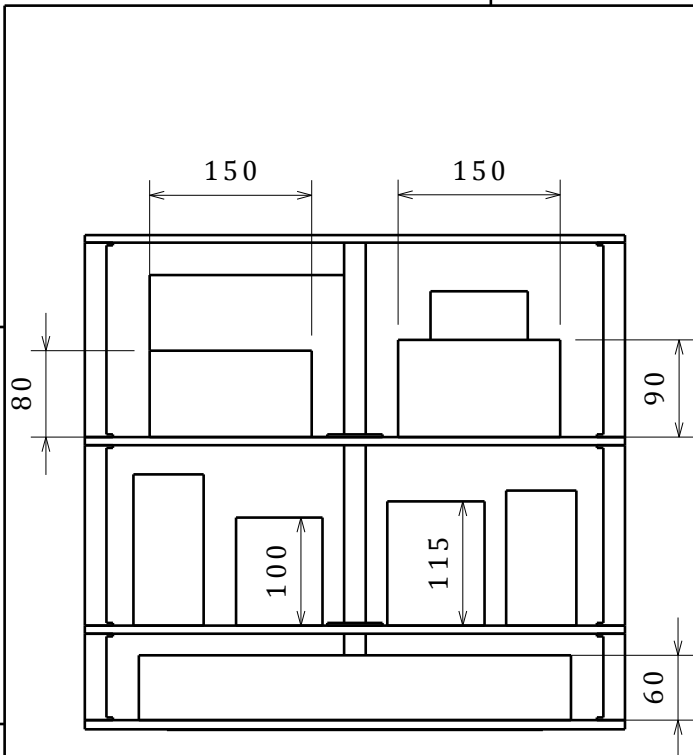
1

4

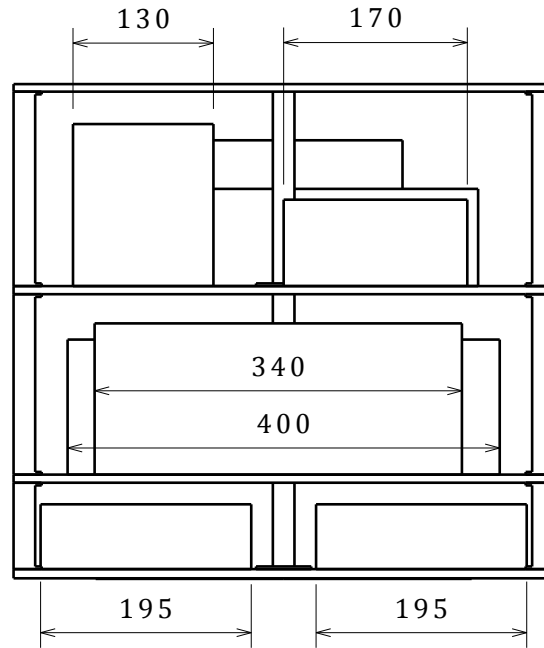
3

2

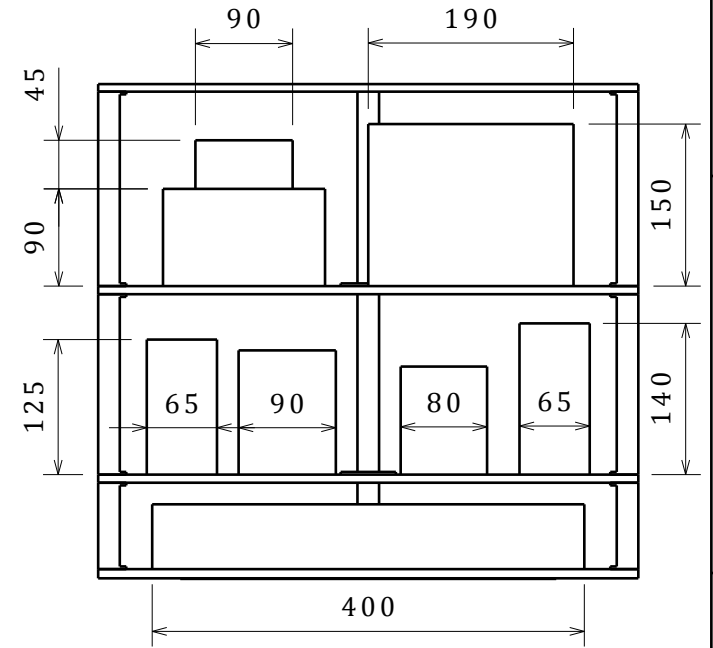
1



Right view
Scale: 1:7



Front view
Scale: 1:7



Left view
Scale: 1:7

DESIGNED BY: Alejandro Pila Sergio Fraile		<h1>Microsatellite</h1>		I	-	
CHECKED BY: Andrés Rovira				DATE: 22/11/2014	H	-
SIZE A4		Universitat Politècnica de València		G	-	
SCALE 1:7	WEIGHT (kg) 50			DRAWING NUMBER 001-0003	F	-
			SHEET 3/8	E	-	
This drawing is our property; it can't be reproduced or communicated without our written agreement.					D	-
					C	-
					B	-
					A	-

D

A

D

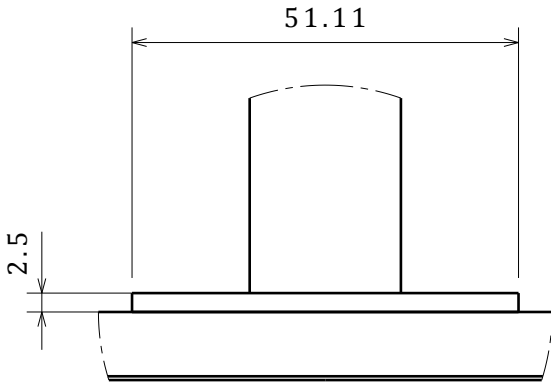
C

B

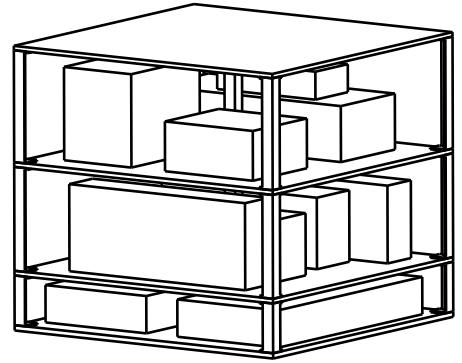
A

4

4



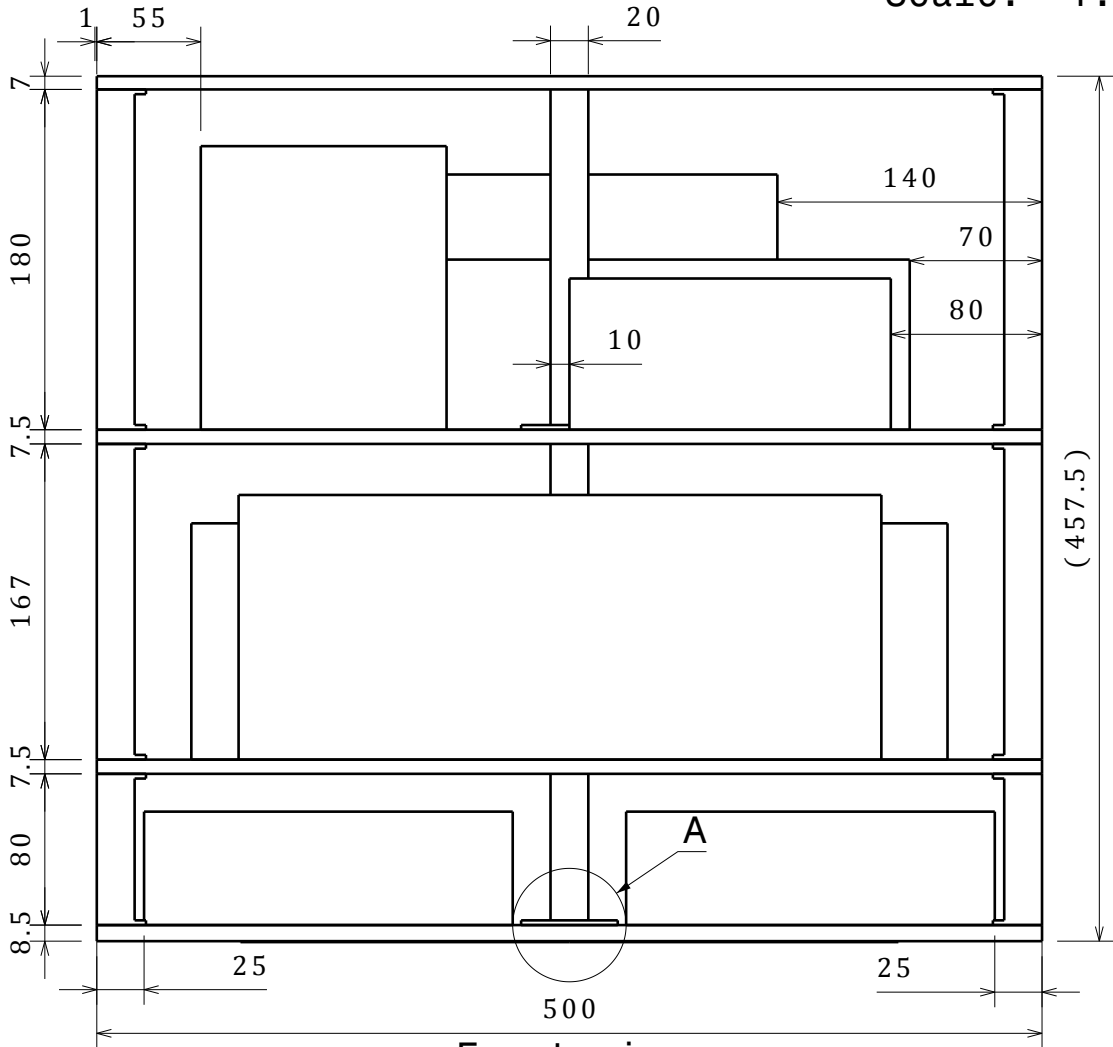
Detail A
Scale: 1:1



Isometric view
Scale: 1:12

3

3



Front view
Scale: 1:4

2

2

1

1

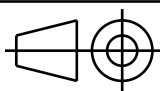
DESIGNED BY:
Alejandro Pila
Sergio Fraile

CHECKED BY:
Andrés Rovira

DATE:
22/11/2014

Microsatellite

SIZE
A4



Universitat Politècnica de València

SCALE
1:6

WEIGHT (kg)
50

DRAWING NUMBER
001-0004

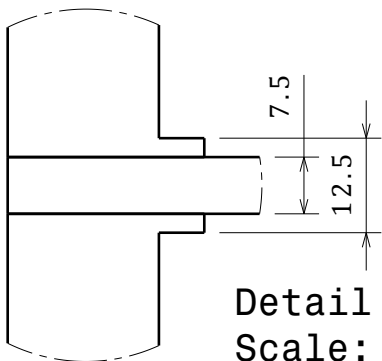
SHEET
4/8

I	-
H	-
G	-
F	-
E	-
D	-
C	-
B	-
A	-

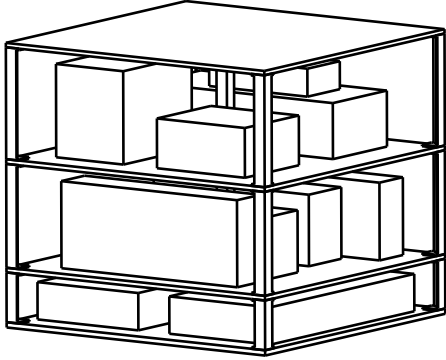
This drawing is our property; it can't be reproduced or communicated without our written agreement.

D

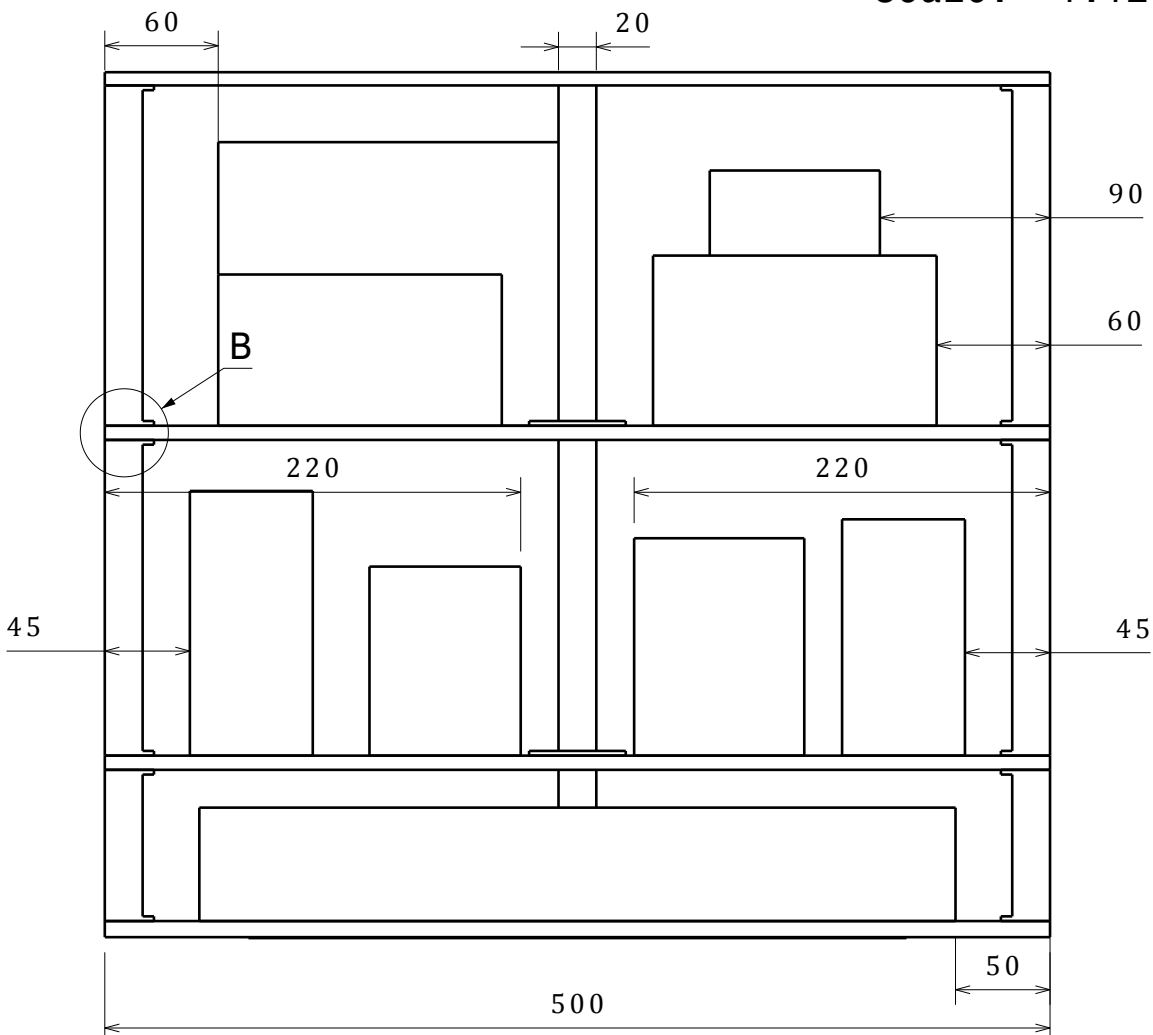
A



Detail B
Scale: 1:1



Isometric view
Scale: 1:12



Right view
Scale: 1:4

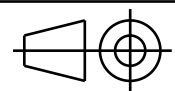
DESIGNED BY:
Alejandro Pila
Sergio Fraile

CHECKED BY:
Andrés Rovira

DATE:
22/11/2014

Microsatellite

SIZE
A4



Universitat Politècnica de València

SCALE
1:6

WEIGHT (kg)
50

DRAWING NUMBER
001-0005

SHEET
5/8

I	-
H	-
G	-
F	-
E	-
D	-
C	-
B	-
A	-

This drawing is our property; it can't be reproduced or communicated without our written agreement.

D

A

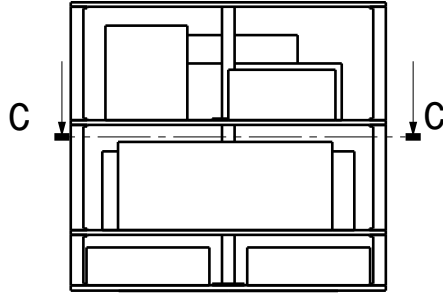
D

C

B

A

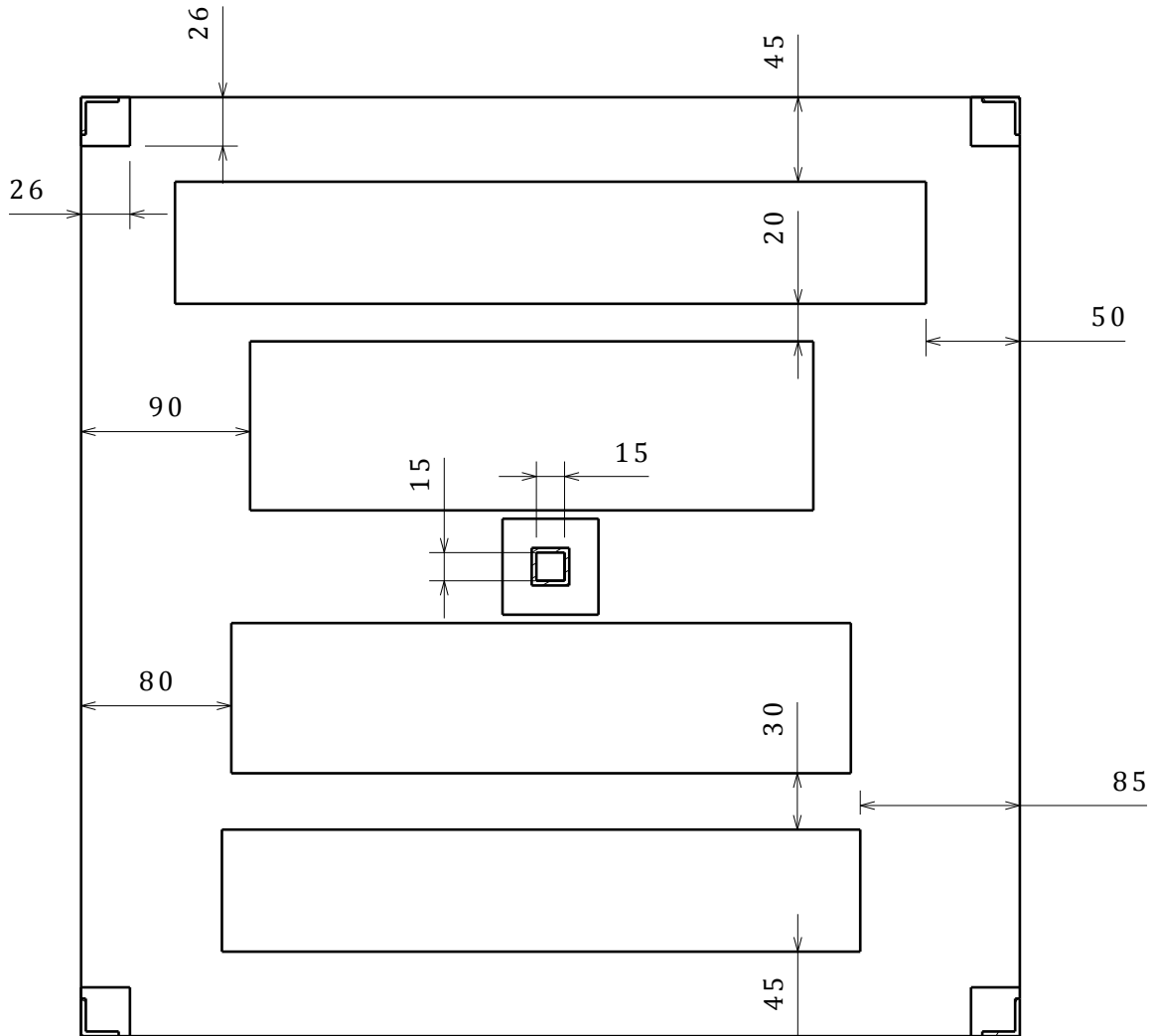
4



Front view
Scale: 1:12

4

3



3

Section view C-C
Scale: 1:4

2

2

DESIGNED BY:

Alejandro Pila
Sergio Fraile

CHECKED BY:

Andrés Rovira

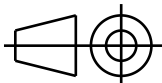
DATE:

22/11/2014

Microsatellite

SIZE

A4



Universitat Politècnica de València

SCALE

1:6

WEIGHT (kg)

50

DRAWING NUMBER

001-0006

SHEET

6/8

I

-

H

-

G

-

F

-

E

-

D

-

C

-

B

-

A

-

1

1

This drawing is our property; it can't be reproduced or communicated without our written agreement.

D

A

D

C

B

A

4

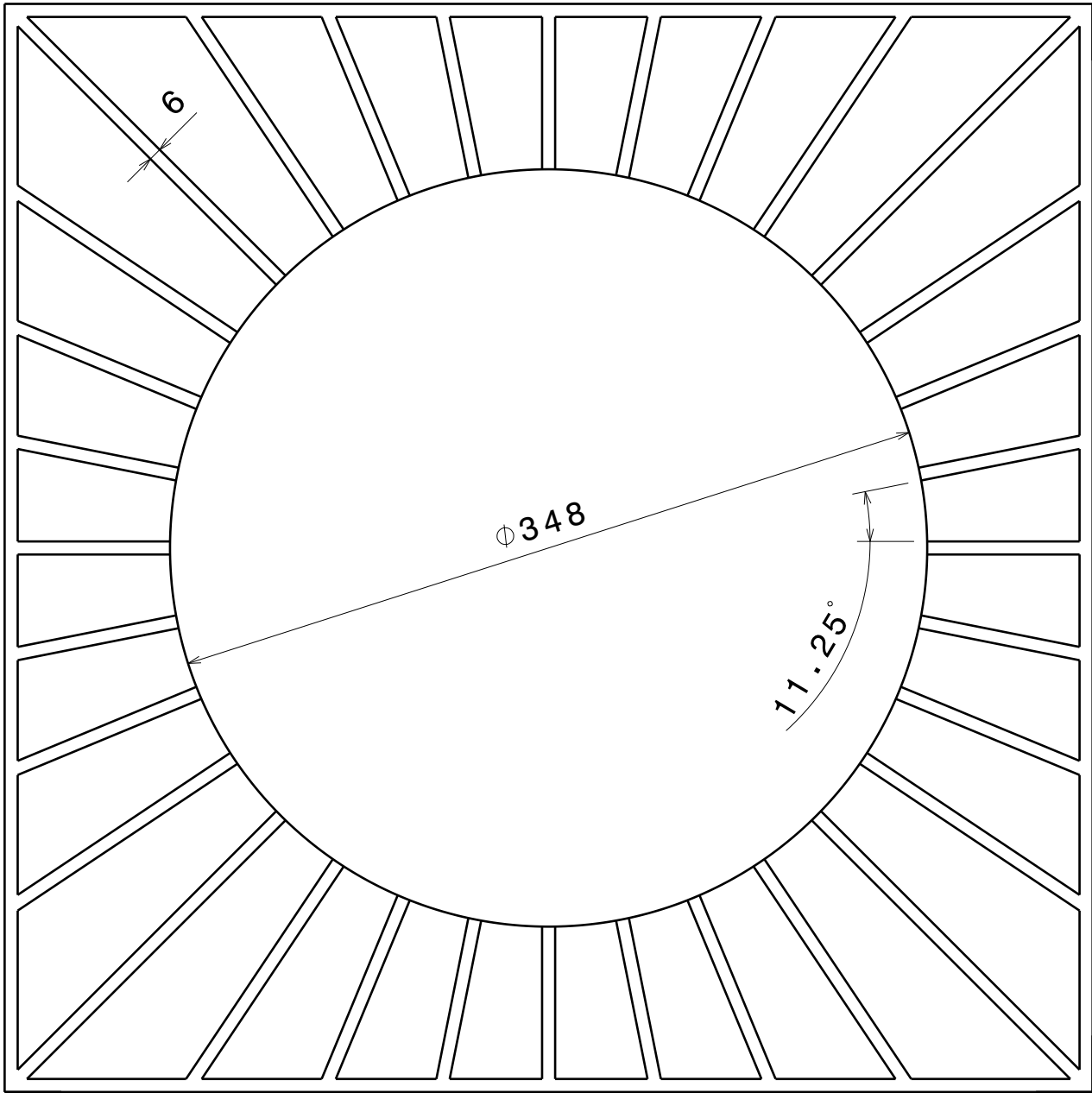
4

3

3

2

2



Front view
Scale: 1:3

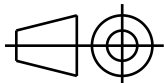
DESIGNED BY:
Alejandro Pila
Sergio Fraile

CHECKED BY:
Andrés Rovira

DATE:
22/11/2014

Tray A

SIZE
A4



Universitat Politècnica de València

SCALE
1:6

WEIGHT (kg)
4

DRAWING NUMBER
001-0007

SHEET
7/8

I	-
H	-
G	-
F	-
E	-
D	-
C	-
B	-
A	-

This drawing is our property; it can't be reproduced or communicated without our written agreement.

D

A

1

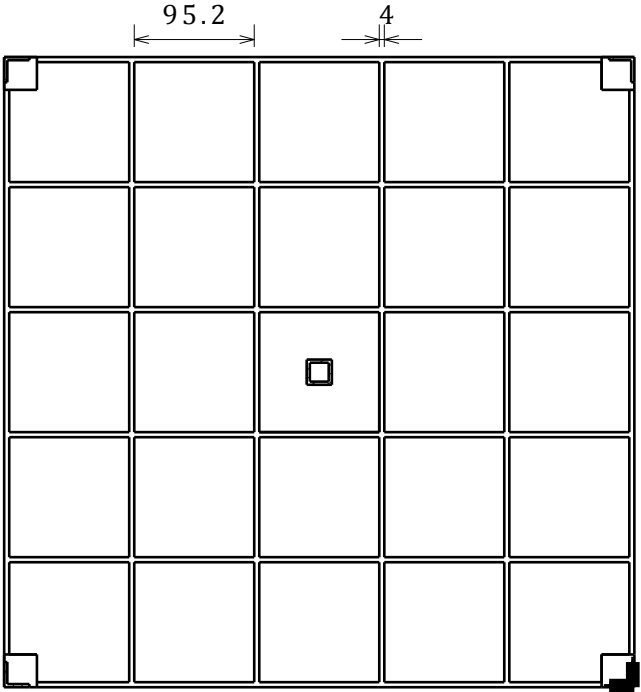
1

D

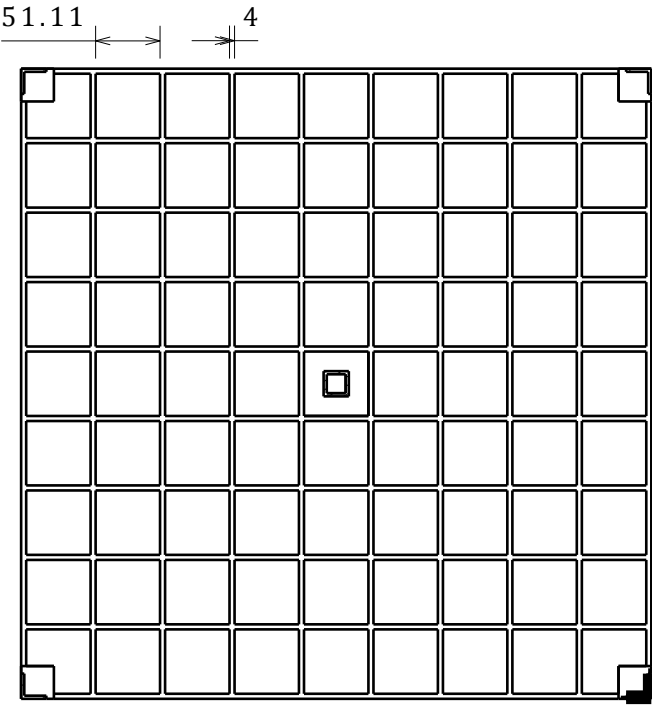
C

B

A

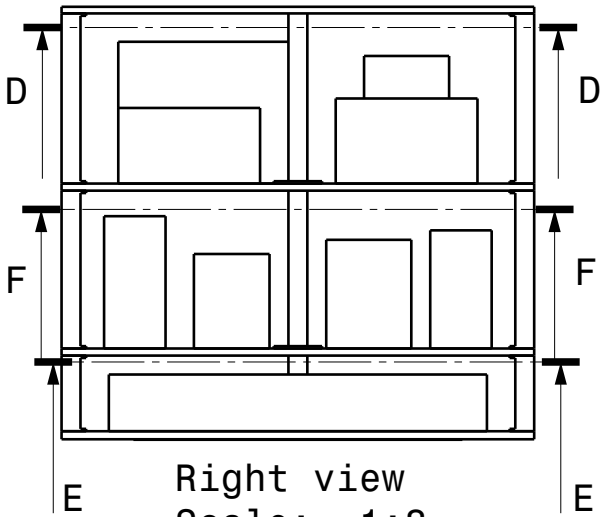


Section view D-D
Scale: 1:6

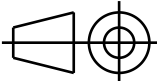


Section view E-E
Scale: 1:6

Sections F-F and E-E are equal
 Ribs Thickness: 6 mm
 Tray A Cylinder heigh: 6.5 mm
 Tray Thickness: 2.5 mm (A), 1.5 mm (B,C) and 1 mm (D)



Right view
Scale: 1:8

DESIGNED BY: Alejandro Pila Sergio Fraile		<h1>Tray B/C/D</h1>		I	-
CHECKED BY: Andrés Rovira				DATE: 22/11/2014	H
SIZE A4		Universitat Politècnica de València		G	-
SCALE 1:6	WEIGHT (kg) 1.7	DRAWING NUMBER 001-0008	SHEET 8/8	F	-
This drawing is our property; it can't be reproduced or communicated without our written agreement.				E	-
				A	-

D

A

4

4

3

3

2

2

1

1